









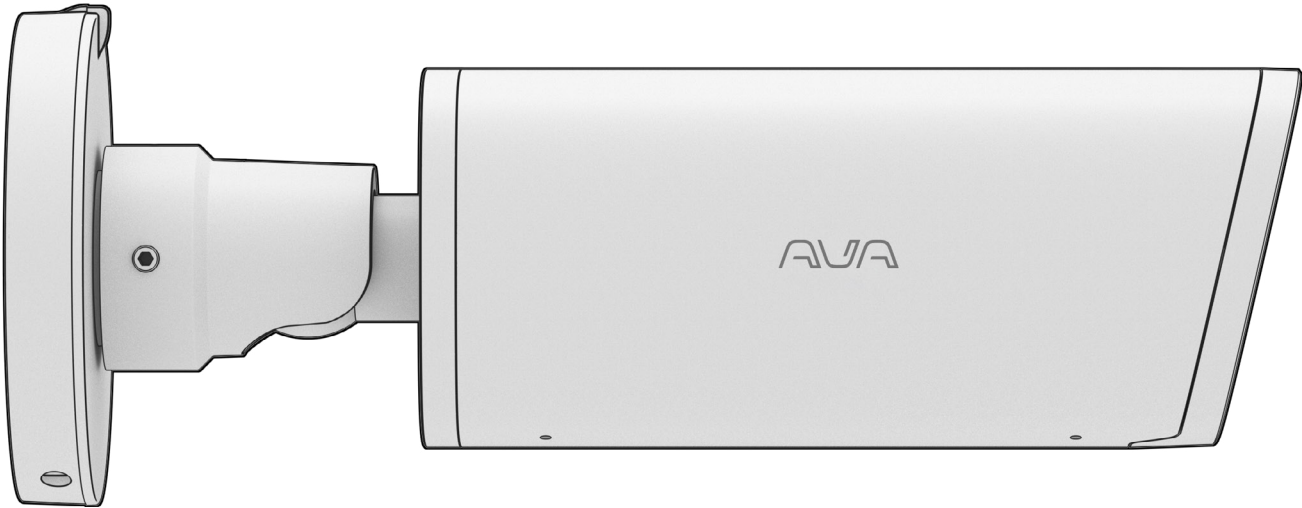
AVIGILON™ AVA BULLET CAMERA MOUNTING GUIDE

Avigilon Alta Cloud Security

IMPORTANT WARNINGS AND SAFETY INSTRUCTIONS

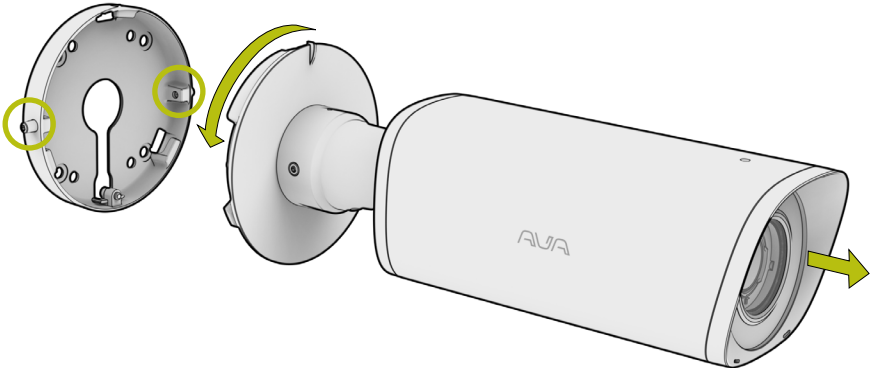
-  **Avoid** exposing the camera to shocks, high pressure or temperatures above 50°C.
-  **Avoid** placing the camera near fans, ventilation or other noise sources. This will degrade audio performance.
-  **Avoid** scratching or leaving fingerprints on the lens cover, this degrades image quality. If possible, keep the protective plastic on the lens cover during installation.
-  **Do not** clean the camera with harsh detergents, gasoline or chemicals such as acetone.
-  **Do not** try to repair the unit yourself. Refer all servicing of the camera to Avigilon or contact a reseller.
-  **Do not** install the camera during rain, mist or other conditions of high humidity. Water may be trapped inside, causing damage or condensation issues.
-  This product should be supplied by a Power over Ethernet Power Sourcing Equipment (PSE) compliant to IEEE 802.3at Type 2 (PoE+).
-  The camera should be connected only to PoE networks without routing to the outside plant. The PoE PSE must be properly grounded.

BOX CONTENTS

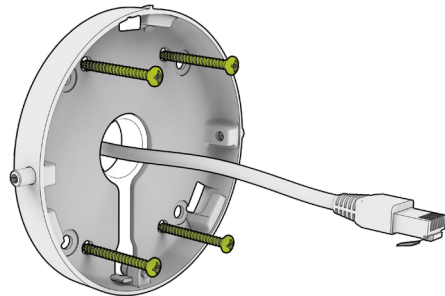


USING THE WALL BRACKET

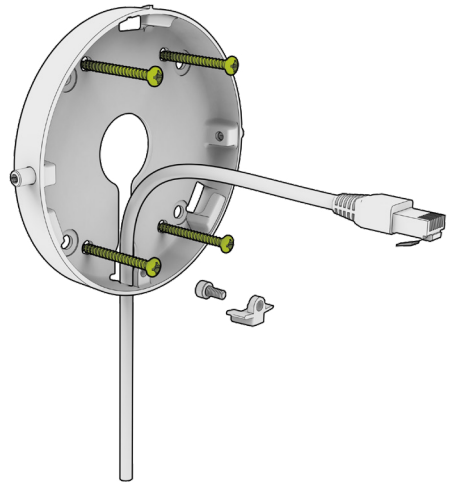
1



2



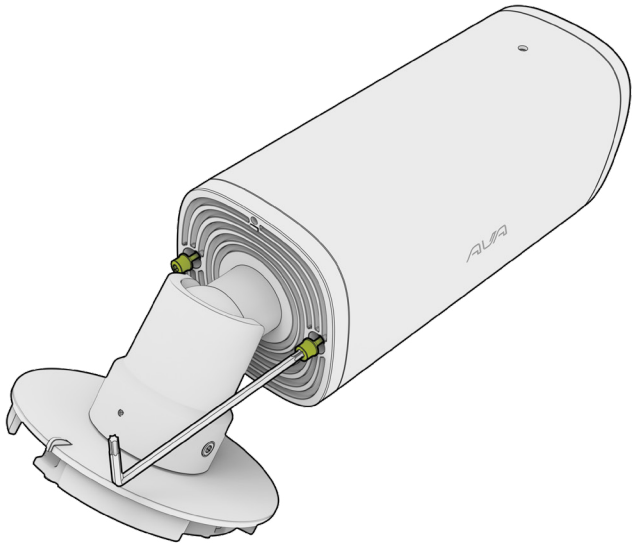
3



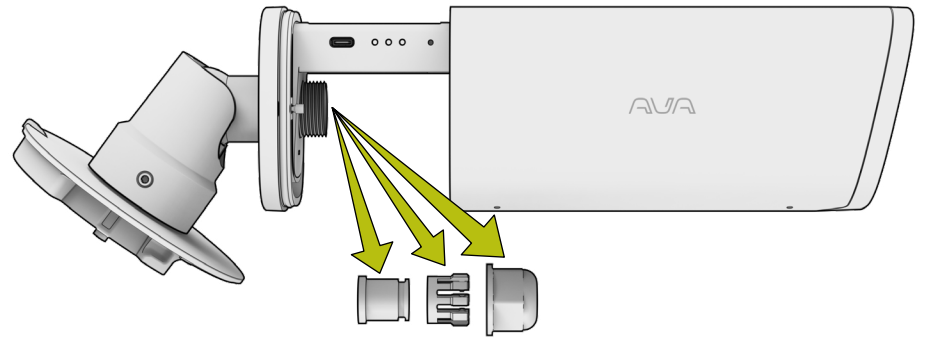
Screws are not included. The installer must use suitable fasteners.

OPENING THE HOUSING AND REMOVING CABLE GLAND

3



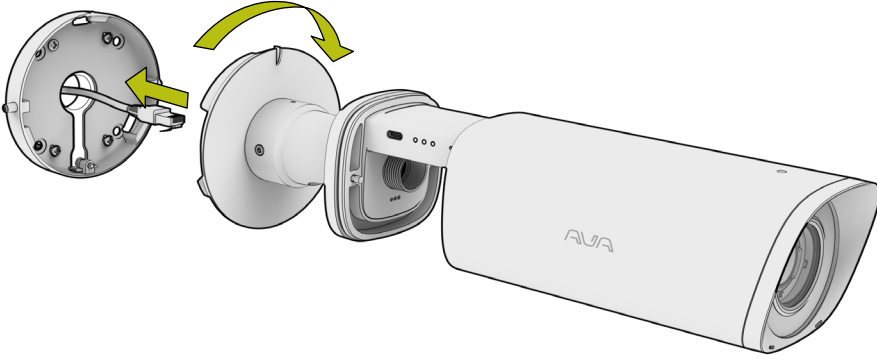
4



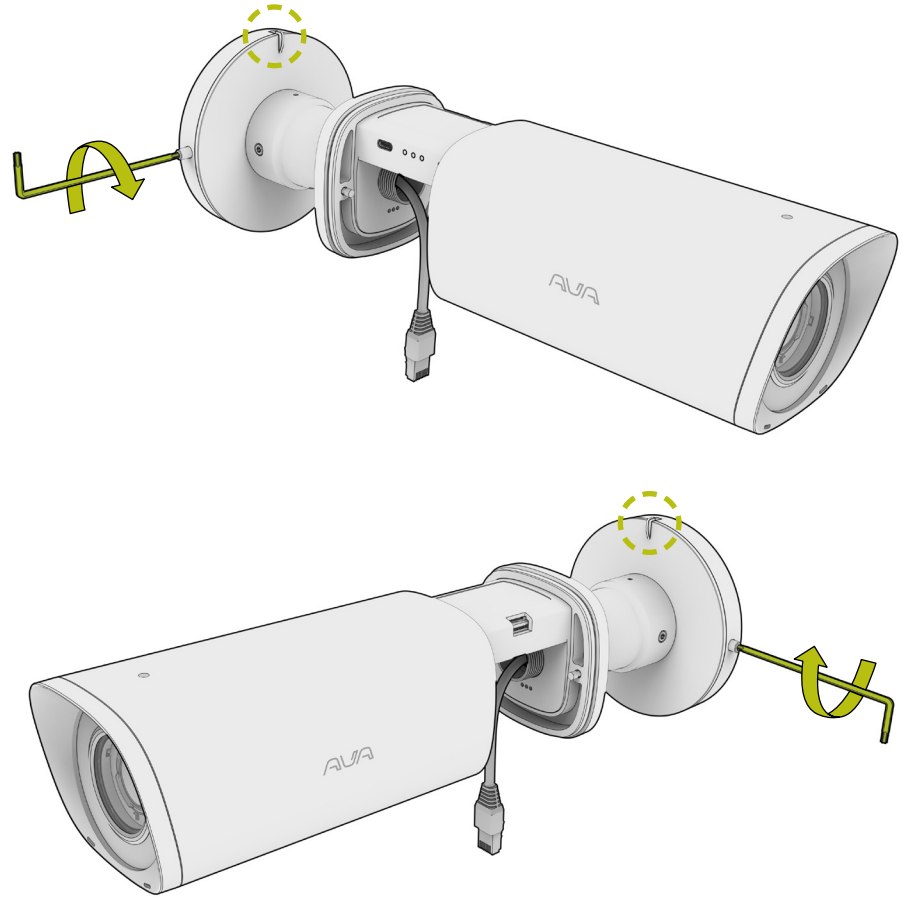
It's easier to access the screws when the ball joint is moved to an angle.

OPENING THE HOUSING AND REMOVING CABLE GLAND

5

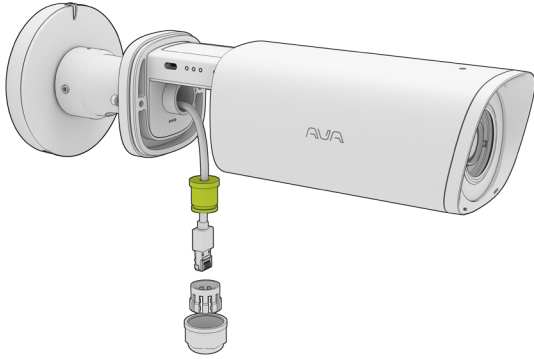


6



INSTALLING CABLE GLAND AND CONNECTING ETHERNET CABLE

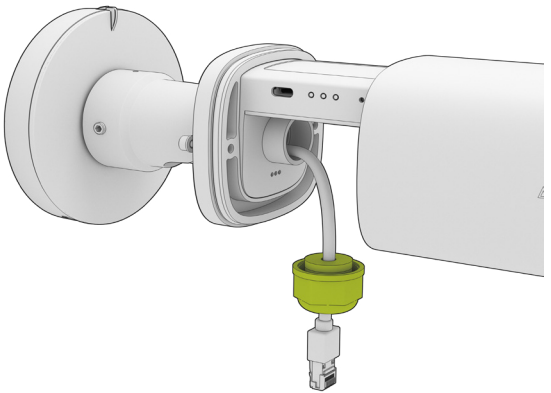
7



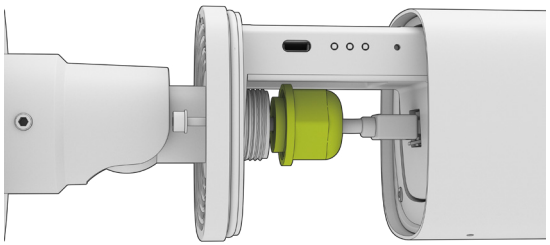
8



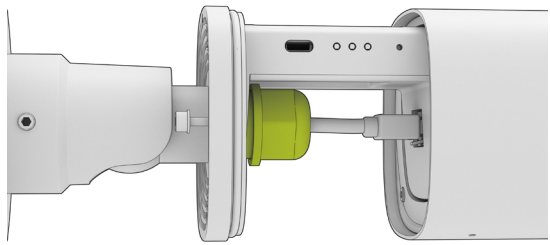
8



10



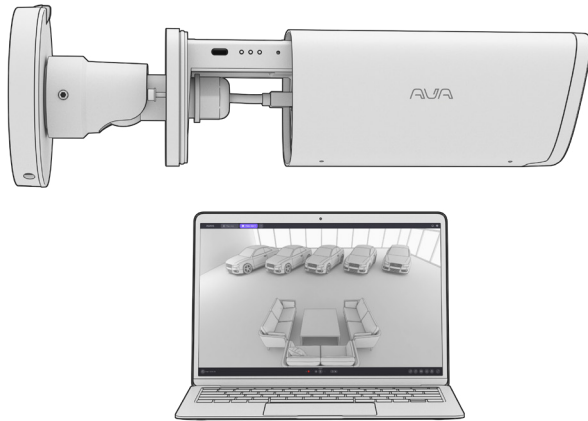
11



CONNECT THE CAMERA AND ADJUST THE PICTURE

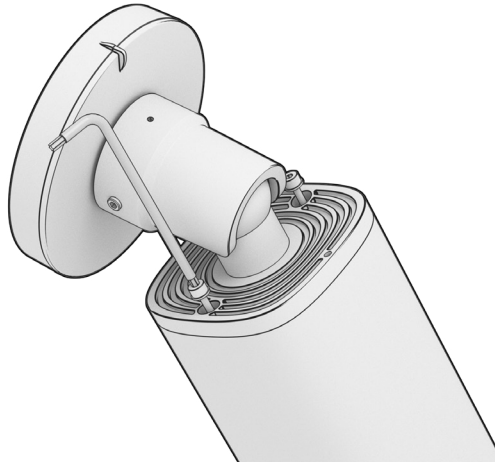
12

Add the Camera to Ava Aware and ensure that the video stream is working.



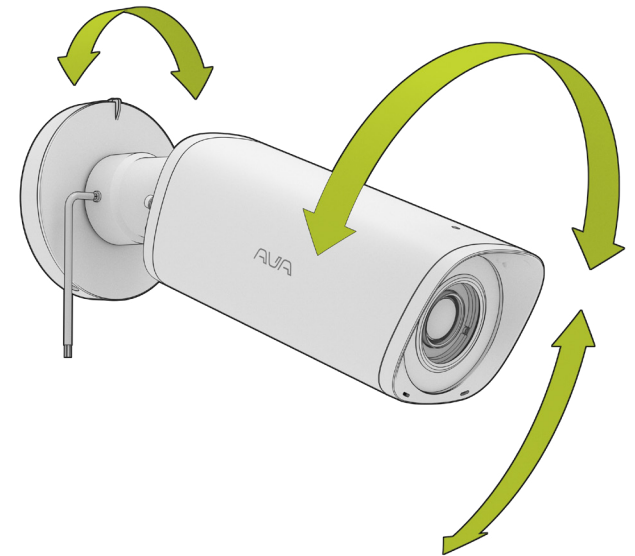
13

Add the Camera to Alta Aware and ensure that the video stream is working.

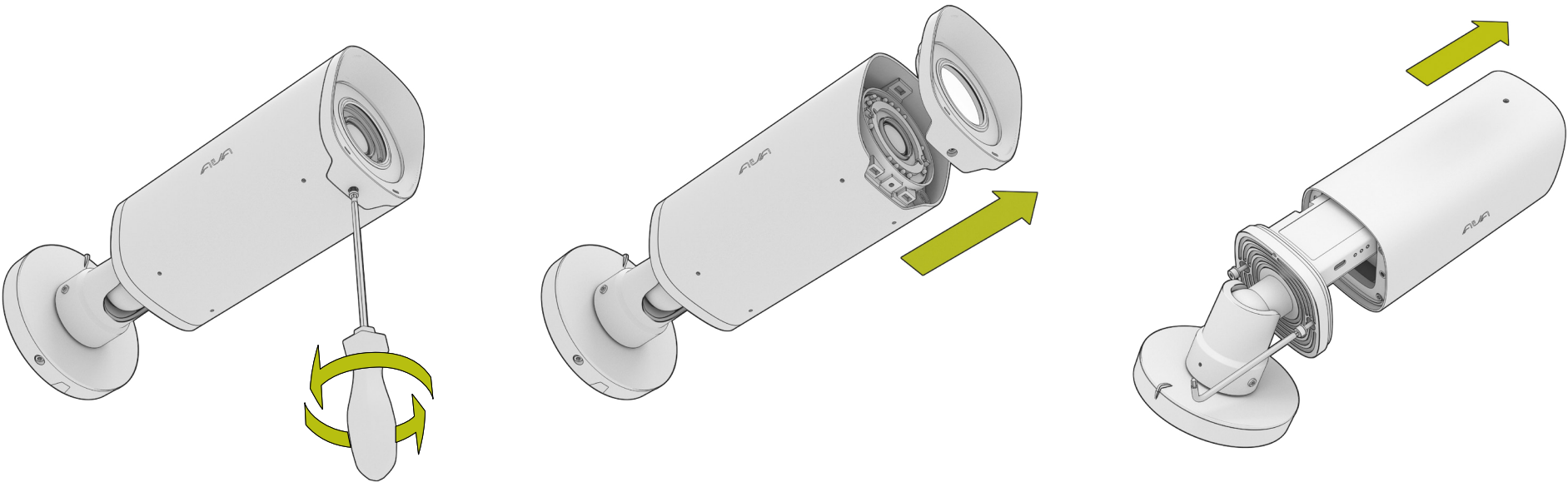


14

Install the top mounting plate.
Note the front indicators indicate the default front side of the camera. Install the mounting plate with the orientation you prefer.



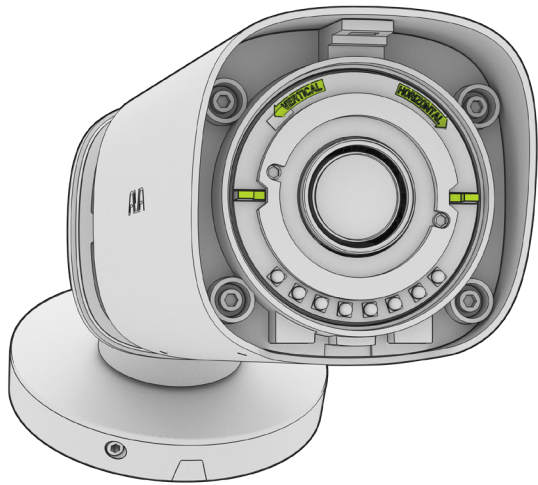
CHANGE LENS ORIENTATION, HORIZONTAL (16:9) - VERTICAL (9:16)



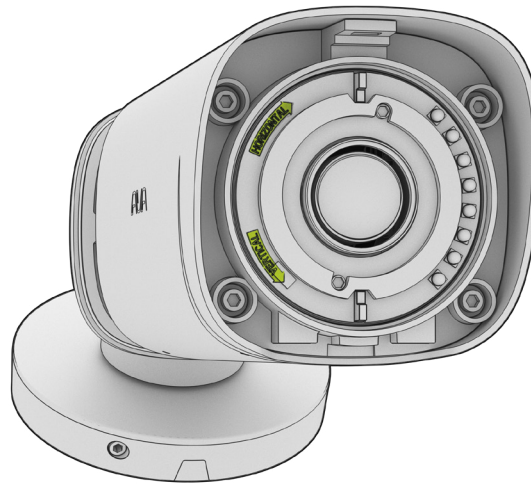
Please be aware of the screw, it can easily be lost during disassembly.

CONNECT THE CAMERA AND ADJUST THE PICTURE

 HORIZONTAL



 VERTICAL



Ensure the camera body has been opened before attempting to rotate the lens.

To learn more, visit:
www.avigilon.com



AVIGILON™

Motorola Solutions, Inc. 500 West Monroe Street, Chicago, IL 60661 U.S.A. motorolasolutions.com

© 2023, Avigilon Corporation. All rights reserved. MOTOROLA, MOTO, MOTOROLA SOLUTIONS and the Stylized M Logo are trademarks or registered trademarks of Motorola Trademark Holdings, LLC and are used under license. All other trademarks are the property of their respective owners. 07-2023 [DS01]