

# AVIGILON™ AVA QUAD CAMERA

## Avigilon Alta Cloud Security



The AI-powered Avigilon Ava Quad Camera for Alta Aware is equipped with four independent sensors to provide complete visibility. With up to 20MP resolution, 360° IR coverage and HDR for crisp, clear images, the Quad provides robust security indoors and out. On-camera storage and processing and cloud management minimize physical infrastructure, enabling plug and play configuration for fast deployments. Intelligent video and audio analytics help detect threats in real-time, and provide valuable insights to improve operations.



Multisensor security camera for flexible coverage



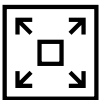
Built-in AI video and audio analytics and on-device storage



Easy to install and manage with simple onboarding



Factory-installed certificates backed by a trusted platform module (TPM)



Dynamic resolution up to 5MP on all four sensors



NDA-Compliant: designed and developed in Norway and the UK, manufactured in Taiwan



**MOTOROLA SOLUTIONS**



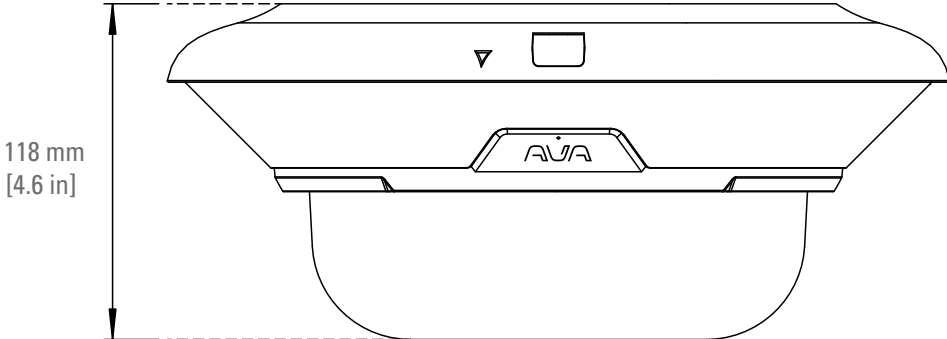
## FEATURES

<b>IMAGE SENSOR</b>	<b>SECURITY</b>	<b>PHYSICAL CHARACTERISTICS</b>
4 x 5MP	Trusted Platform Module (TPM 2.0)	<b>Dimensions:</b> Ø 275x118 mm
<b>IMAGE SENSOR SIZE FORMAT</b>	Factory installed certificates	<b>Weight:</b> 2.7 kg
1/2.7"	No default passwords	<b>Body:</b> Aluminum
<b>LENS</b>	Mandatory access authentication	<b>EMC</b>
<b>Focal length:</b> 3.7 – 7.7 mm	HTTPS/TLS encryption	CE (EN55032 Class A)
<b>Aperture:</b> f/1.9-f/2.9	<b>NETWORK PROTOCOLS</b>	FCC (FCC Part 15 B Class A)
Remote zoom and focus	IPv4, HTTPS, TLS, DNS, mDNS, DNS-SD, NTP, RTSP, RTP, RTCP, ICMP, DHCP, ARP	<b>SAFETY</b>
P-iris	<b>Streaming:</b> RTP/UDP, RTP/RTSP/HTTPS/TCP	UL (UL 62368-1)
<b>IR NIGHT VISION</b>	<b>POWER SOURCE</b>	CB (IEC/ EN 62368-1, IEC/EN 60950-22, IEC/EN 62471)
Automatic night mode	IEEE 802.3at PoE Class 4 (PoE+)	NOM-019
IR-cut filter	<b>POWER CONSUMPTION</b>	NOM-019
Individually controlled IR LEDs	<b>Max:</b> 25.5W	IEC62471 (IR LED)
850 nm IR LED	<b>STORAGE</b>	
<b>FIELD OF VIEW</b>	MicroSD	
81° ~ 39° horizontal	SDXC UHS-I	
60° ~ 29° vertical	<b>CONNECTION</b>	
<b>MAXIMUM RESOLUTION &amp; FRAME RATE</b>	802.3ab 10/100/1000 Gigabit Ethernet	
2592x1944@30fps per sensor	<b>IMPACT RESISTANCE</b>	
<b>DYNAMIC RANGE</b>	IK10 (IEC/EN 62262)	
Multi-exposure line-based HDR	<b>INGRESS PROTECTION</b>	
<b>VIDEO COMPRESSION</b>	IP66 (IEC/EN 60529)	
H.264	<b>TEMPERATURE</b>	
Motion JPEG	<b>Storage &amp; Operating:</b> -40°C to +60°C*	
<b>AUDIO</b>	*IR not available > 50°C	
Microphone		
Audio classification		

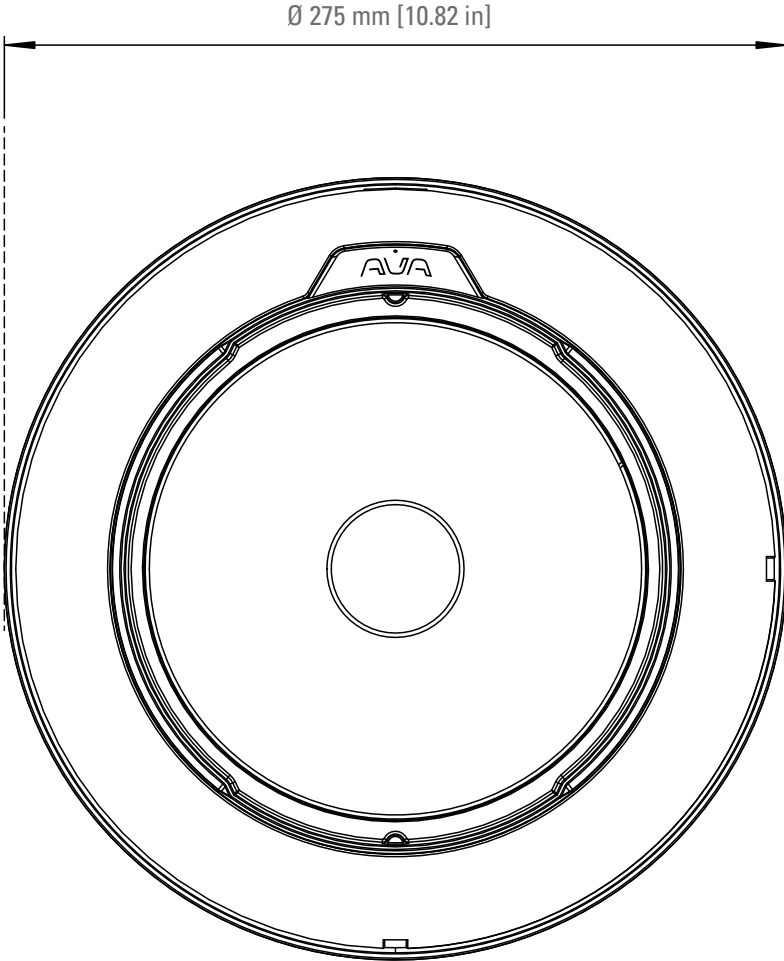
# TECHNICAL DRAWINGS

## Camera

### Side view



### Top view



# ORDERING INFORMATION

## AVIGILON AVA QUAD

PRODUCT ID	RESOLUTION	ONBOARD RETENTION
QUAD	4x 5MP	No. Cloud Connector required.
QUAD-20MP-30	4x 5MP	30 days

## ACCESSORIES

PRODUCT ID	PRODUCT NAME	COLOR
ACQ-REC-KIT	<a href="#">Avigilon Ava Recessed Kit</a>	White
ACQ-PEN-HEA	<a href="#">Avigilon Ava Pendant Head</a>	White
ACQ-PEN-PIP	<a href="#">Avigilon Ava Pendant Pipe 40cm</a>	White
ACQ-WAL-MNT	Avigilon Ava Wall Mount Bracket	White
ACQ-POL-MNT	<a href="#">Avigilon Ava Pole Bracket</a>	White
ACQ-CRN-MNT	<a href="#">Avigilon Ava Corner Bracket</a>	White
ACQ-MNT-ADA	<a href="#">Avigilon Ava Mounting Adapter</a>	White

To learn more, visit:  
[www.avigilon.com](http://www.avigilon.com)



Motorola Solutions, Inc. 500 West Monroe Street, Chicago, IL 60661 U.S.A. [motorolasolutions.com](http://motorolasolutions.com)

© 2023, Avigilon Corporation. All rights reserved. MOTOROLA, MOTO, MOTOROLA SOLUTIONS and the Stylized M Logo are trademarks or registered trademarks of Motorola Trademark Holdings, LLC and are used under license. All other trademarks are the property of their respective owners. 09-2023 [DS02]