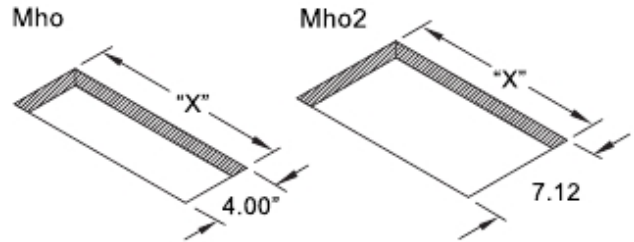


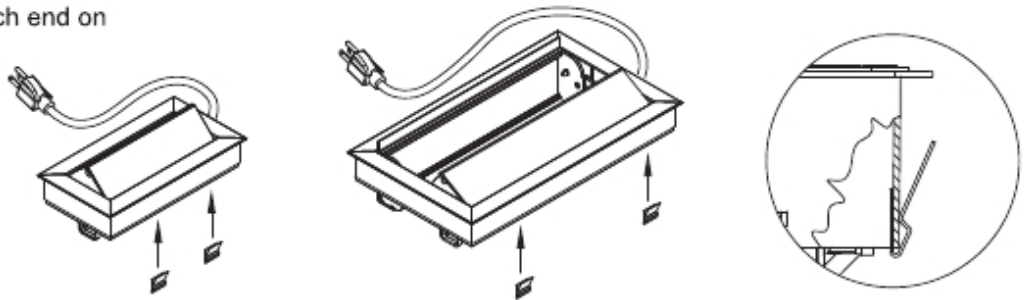
INSTALLATION INSTRUCTIONS FOR MHO[®] & MHO²[®]

Install data jacks as described in the installation instructions provided with the data adapters, BE01421

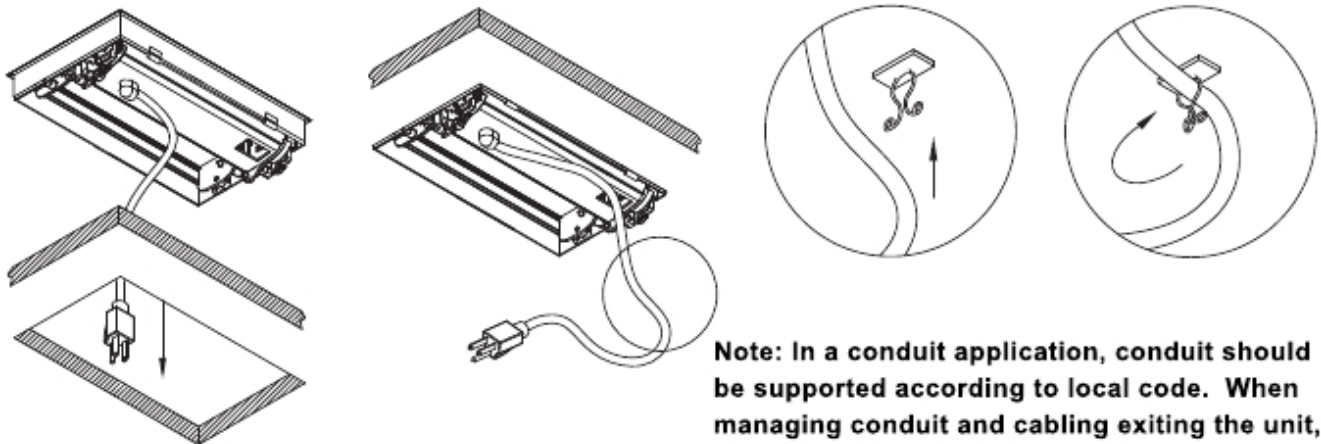
Mho	Mho2		"X" Dim.
BE01820-M	BE01820-M2	2 ports	5.00
BE01820-M	BE01820-M2	3 ports	6.50
BE01820-M	BE01820-M2	4 ports	8.00
BE01820-M	BE01820-M2	5 ports	9.50
BE01820-M	BE01820-M2	6 ports	11.00
BE01820-M	BE01820-M2	7 ports	12.50
BE01820-M	BE01820-M2	8 ports	14.00



Attach 2 clips, one at each end on back of unit base.



Note: Metal clips are or use in hard surface material only as an optional mounting means.



Note: In a conduit application, conduit should be supported according to local code. When managing conduit and cabling exiting the unit, ensure there is adequate slack to allow unit to open properly.

