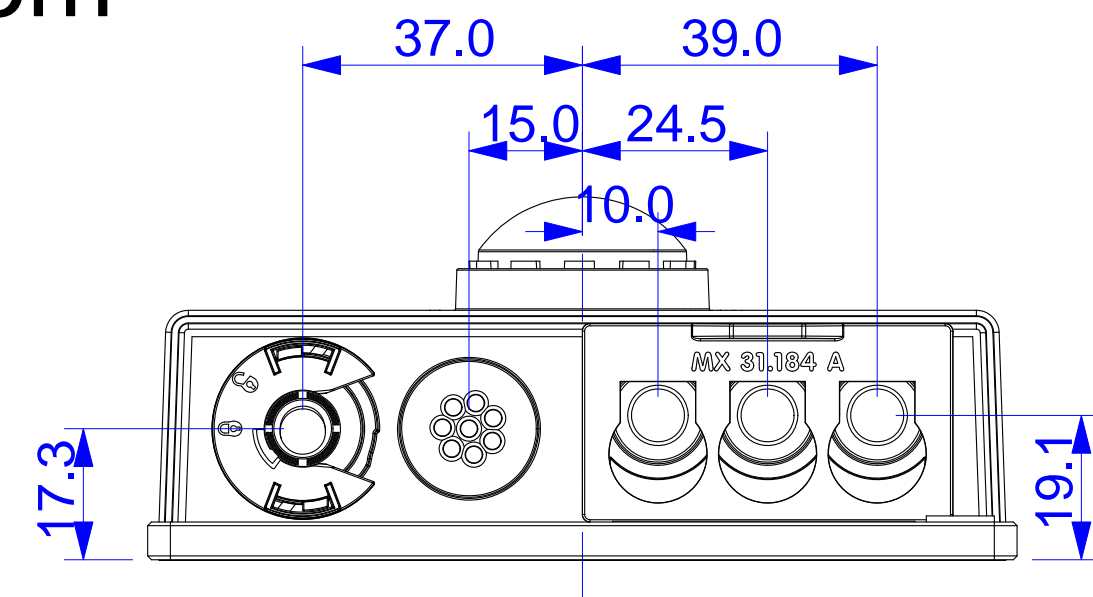


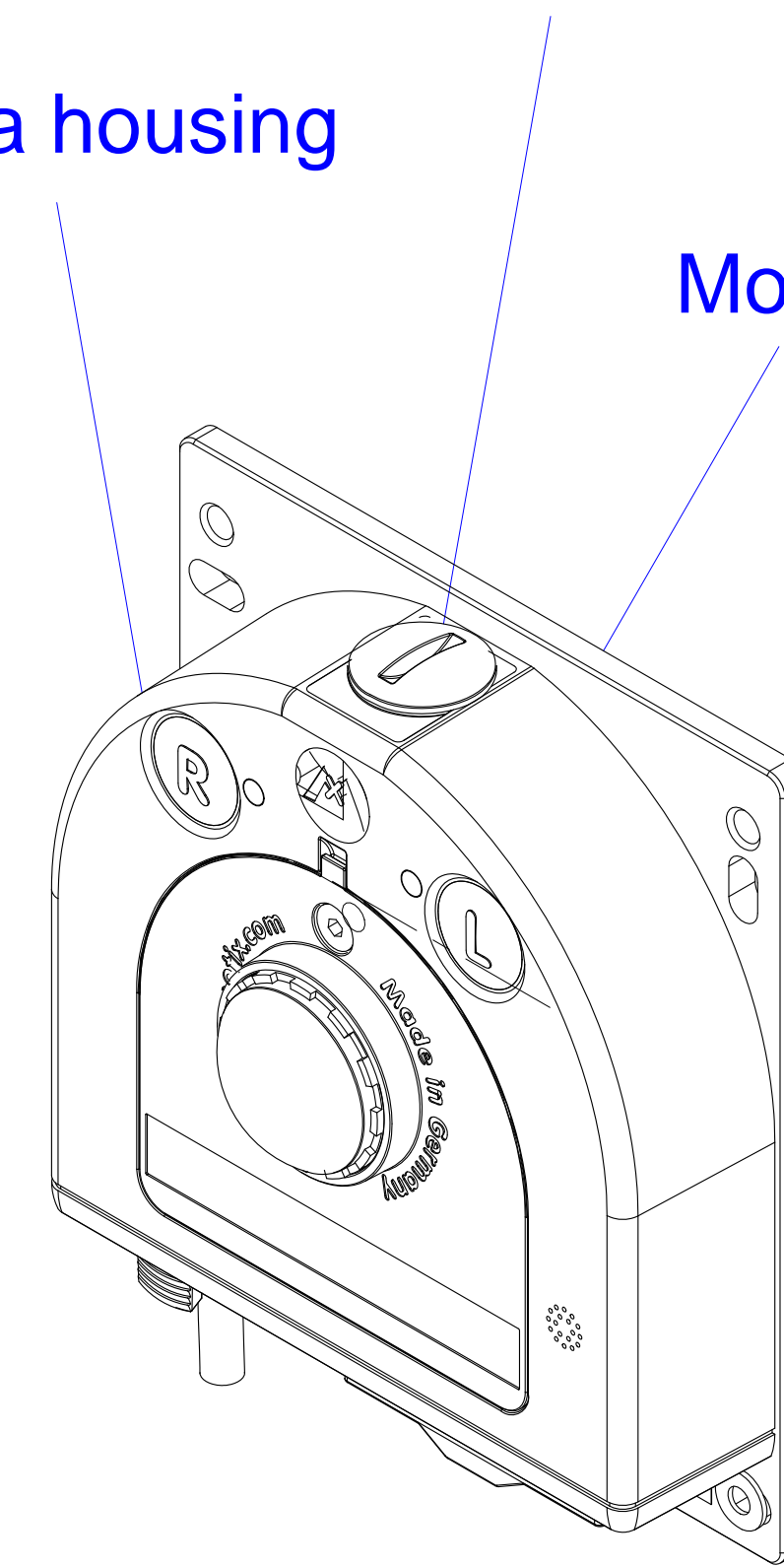
Bottom



Micro SD-Card

Camera housing

Mounting plate

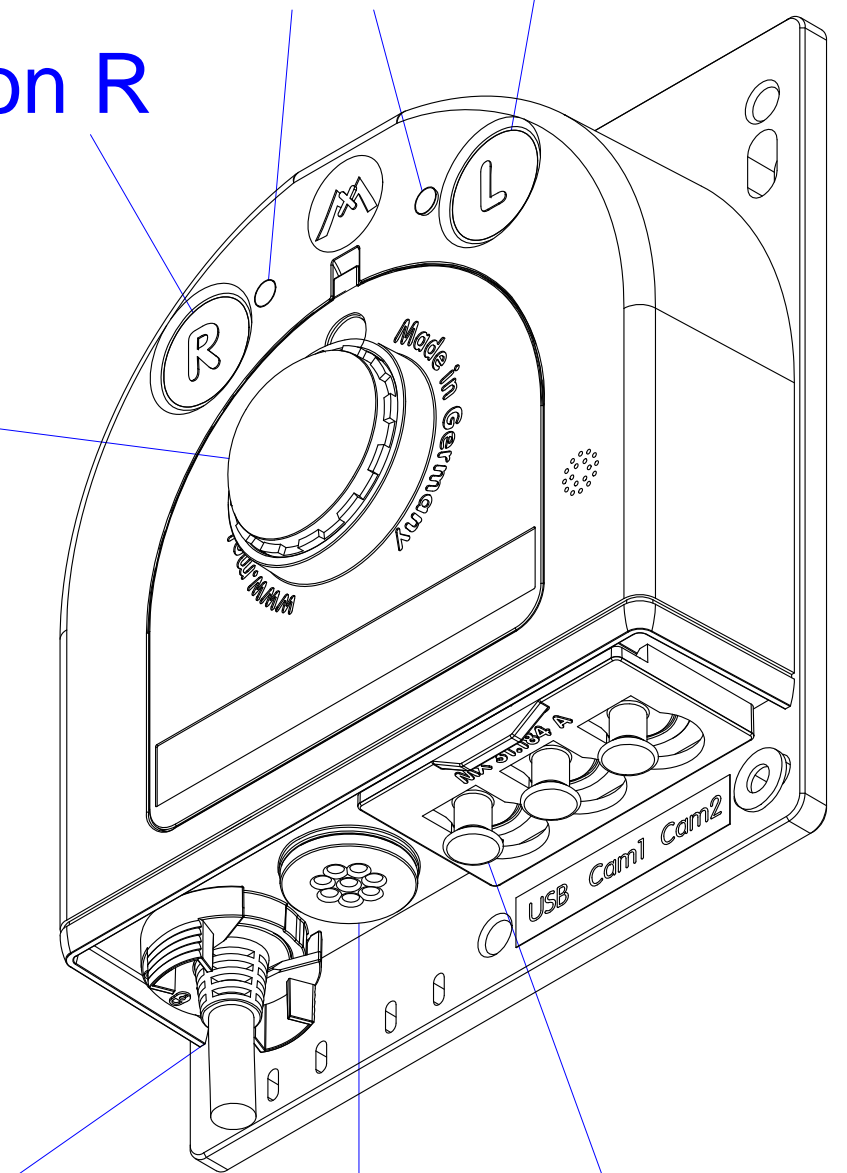


Button L

LED

Button R

Sensor onboard

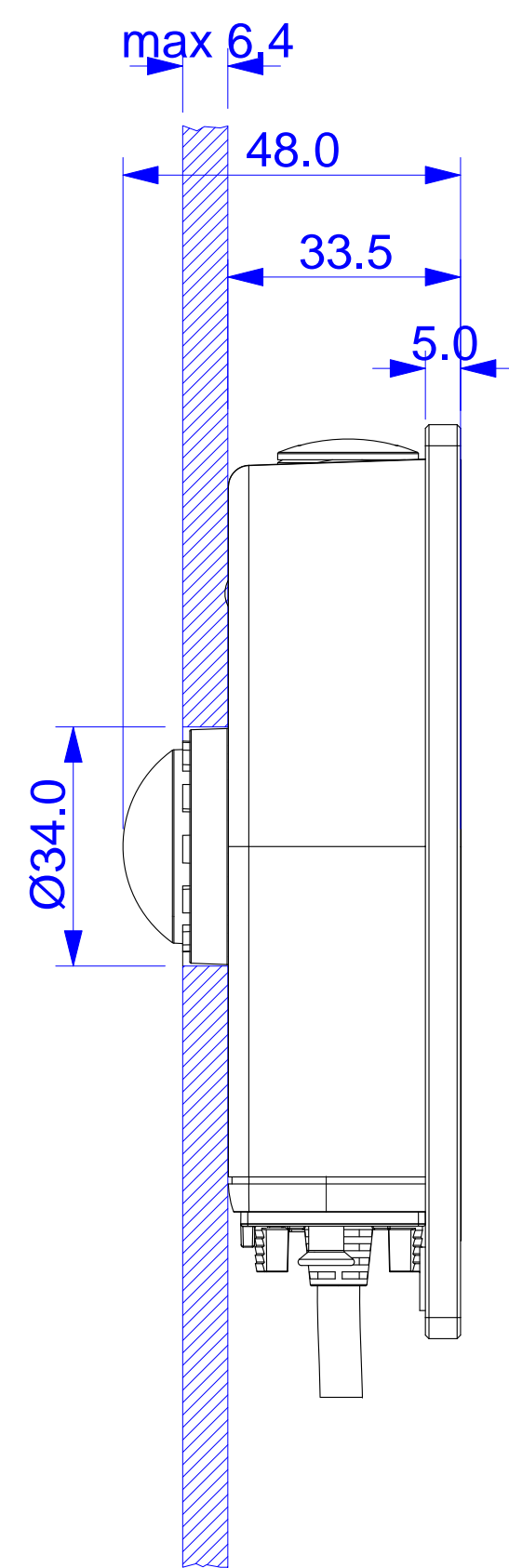


Mobotix RJ45 or MxBus, Mic, Speaker

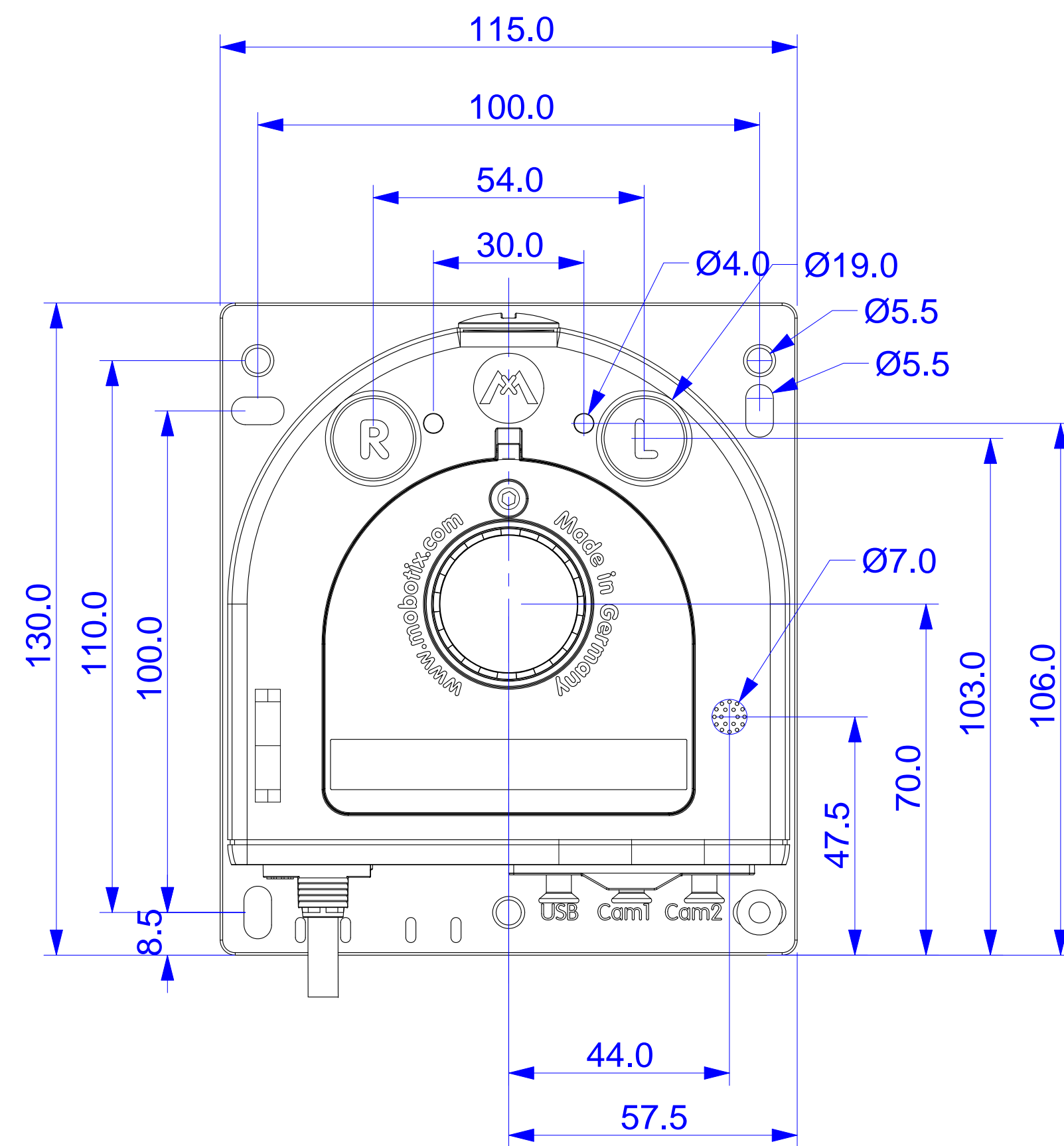
Ethernet cable or MxBus, Mic, Speaker

USB

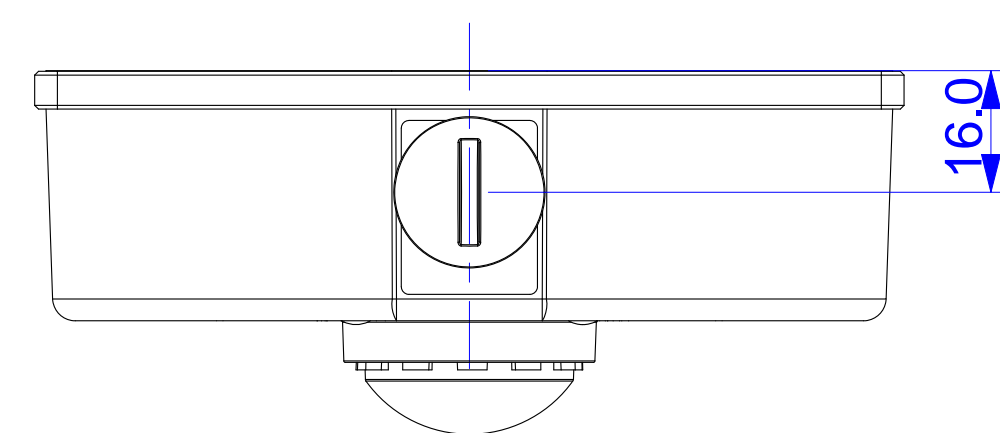
Side



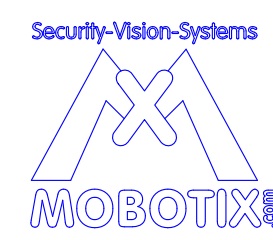
Front



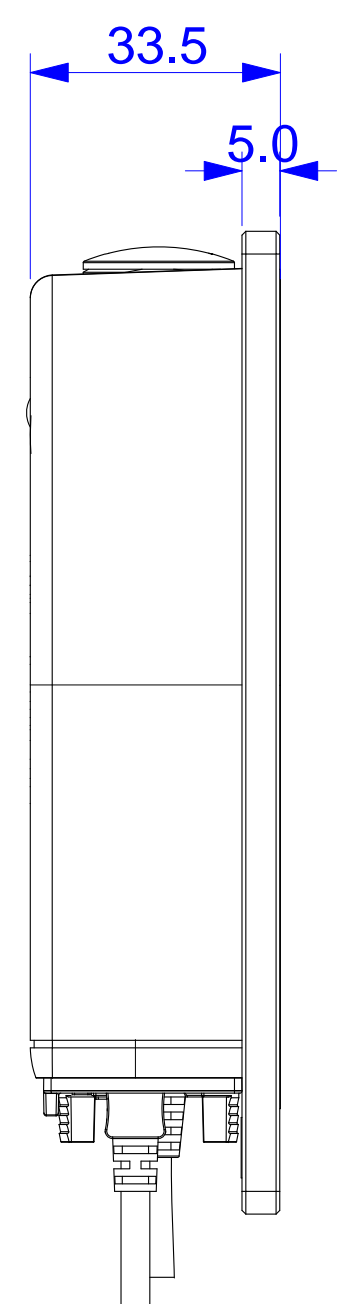
Top



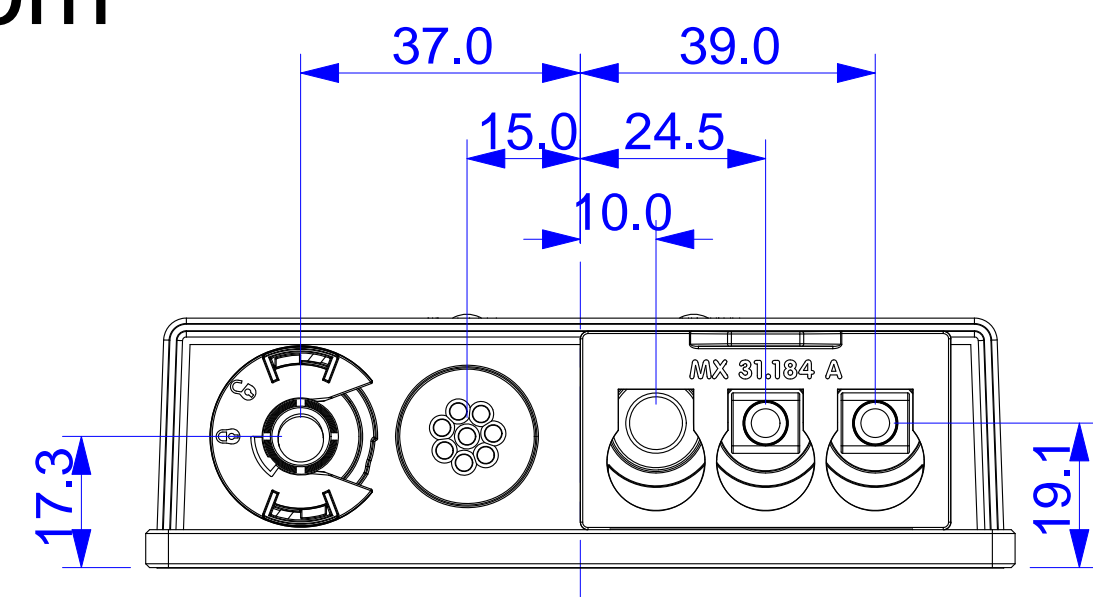
For internal use only. Technical specifications subject to change without notice. MOBOTIX does not assume responsibility for mistakes and recommends to verify measures and mechanical design with an actual product of the chosen MOBOTIX hardware. The reproduction, distribution and utilization of this document as well as the communication of its contents to others without express authorization is prohibited. Offenders will be held liable for the payment of damages. All rights reserved in the event of the grant of a patent, Utility model, design or trademark. No rights are transferred herewith.

All measures are in mm		Surface quality		 Security-Vision-Systems Company		MOBOTIX AG	
Name		Signature		Date		Product	
Drawn		SBe		07.05.12		S15M Camera	
Tested							
Approved							
Production							
Quality				Material		Drawing	
						DIN A1	
				Weight		Scale 1:1	
						Page 1/1	

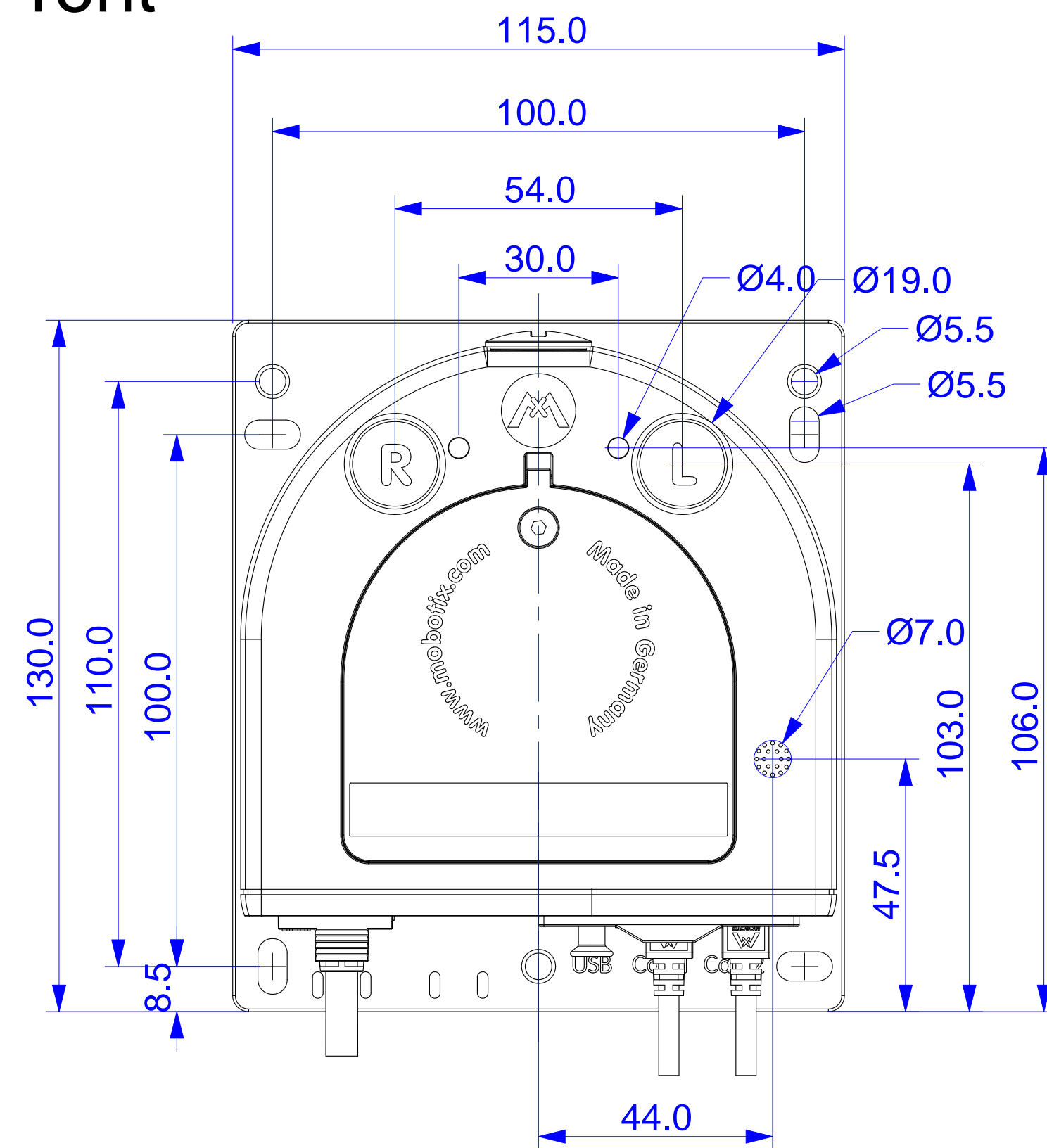
Side



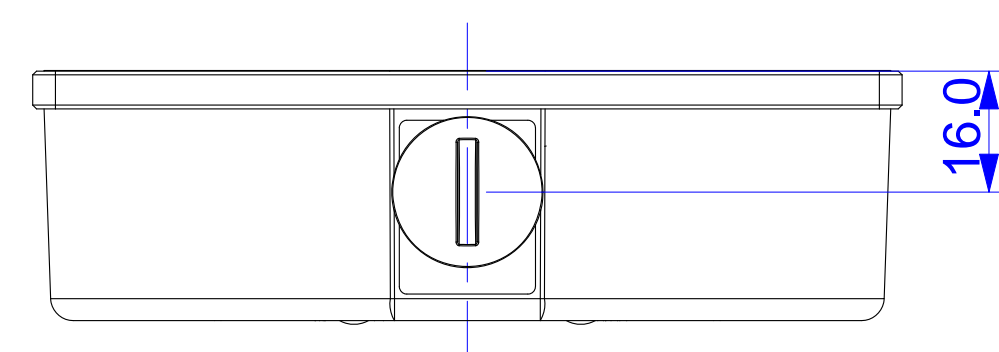
Bottom



Front



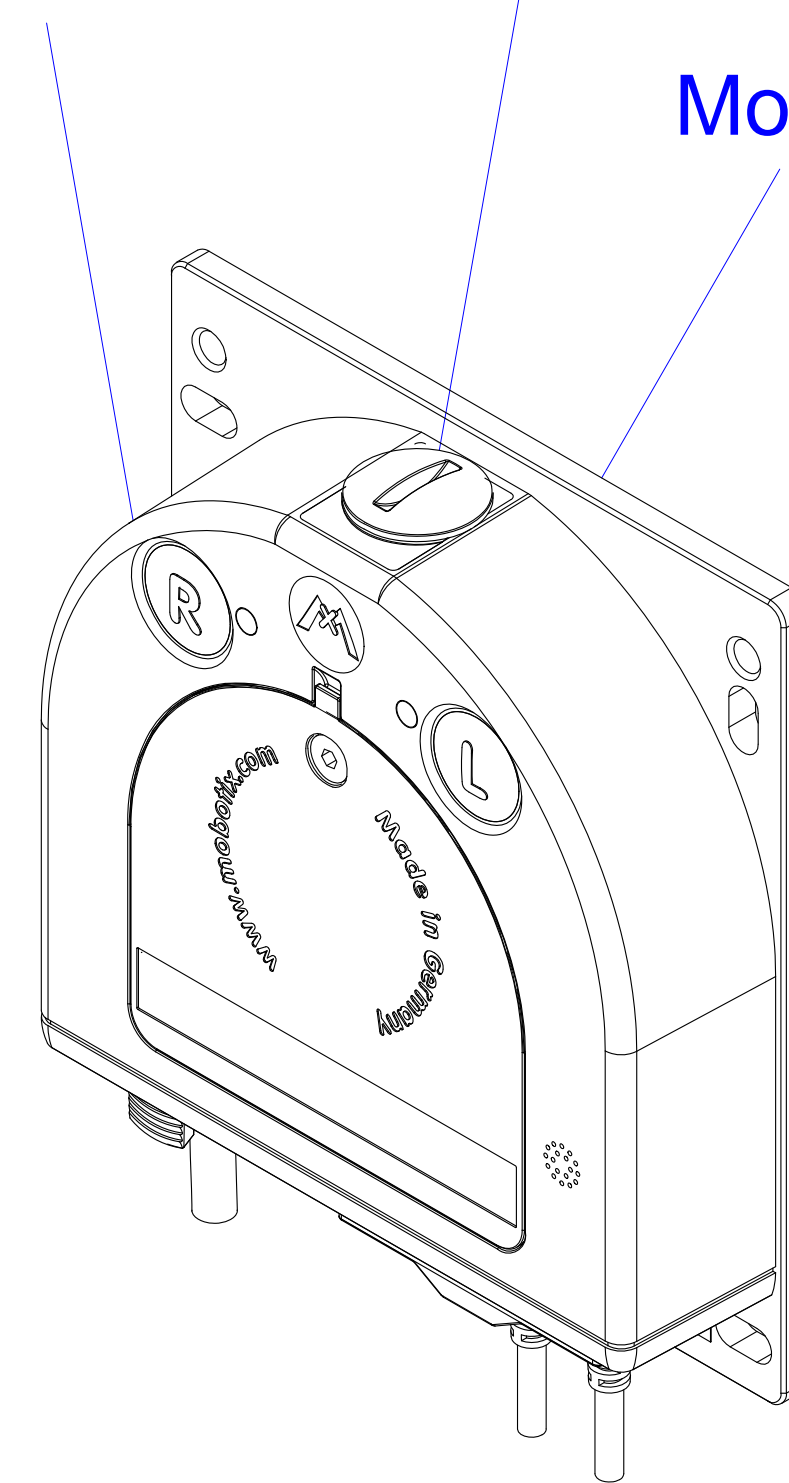
Top



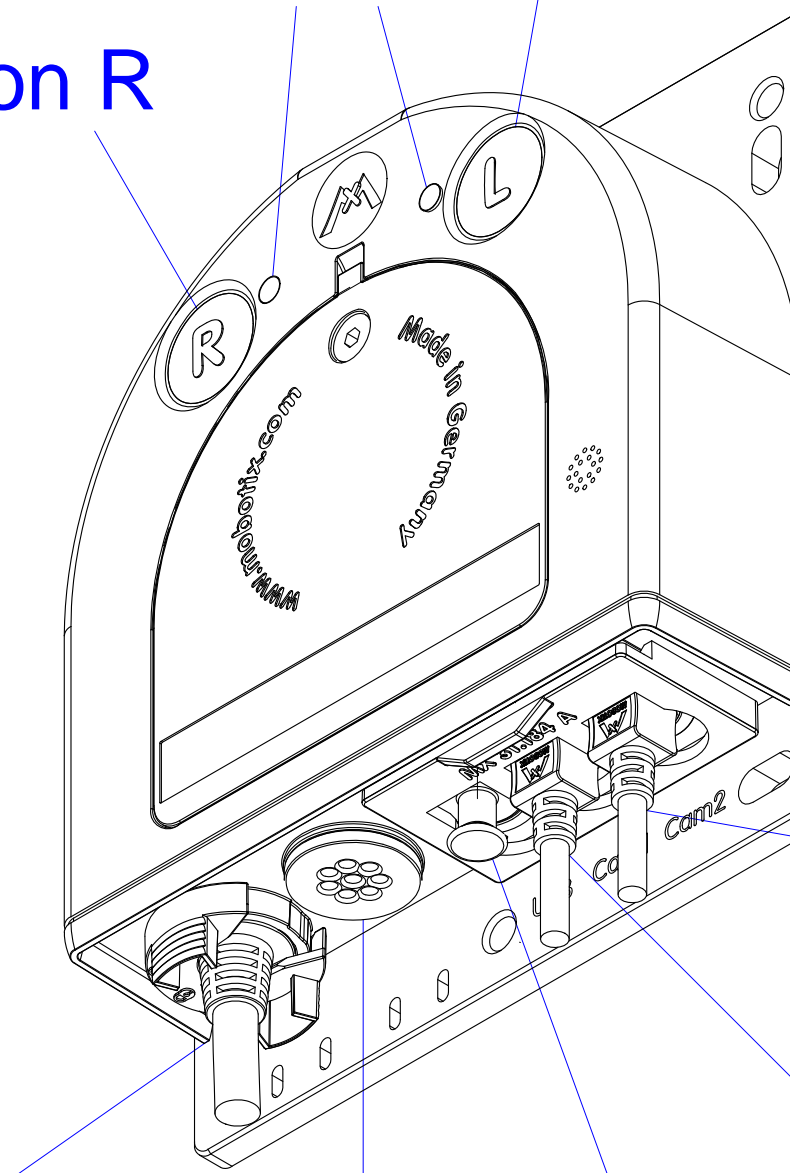
Micro SD-Card

Camera housing

Mounting plate



Button R
LED
Button L



Mobotix RJ45 or MxBus, Mic, Speaker

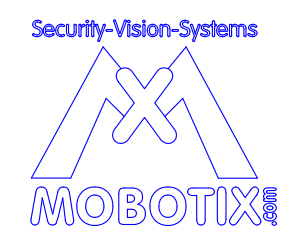
Ethernet cable or MxBus, Mic, Speaker

Sensor 2, cable max 2m (Sensor not included)

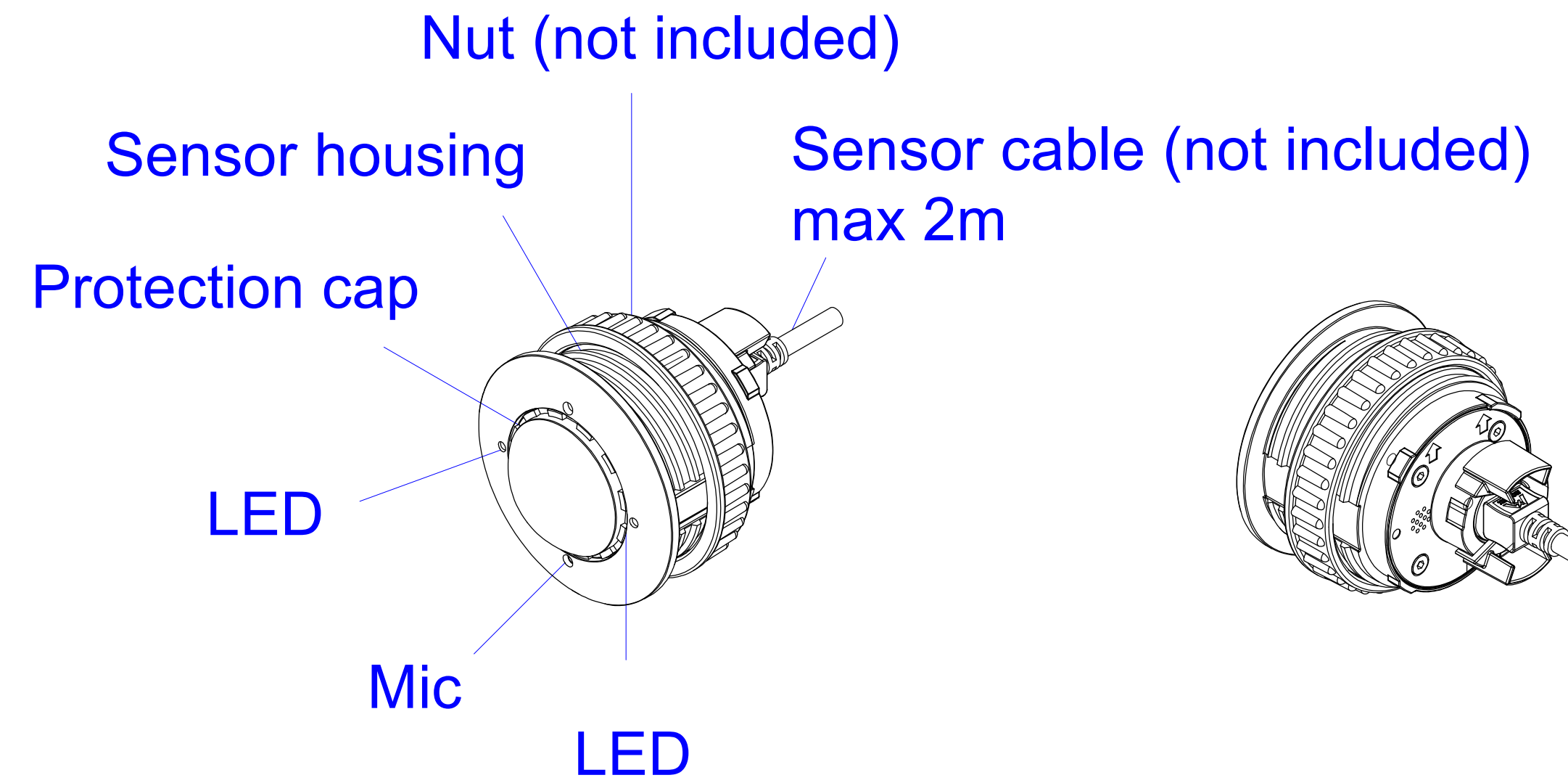
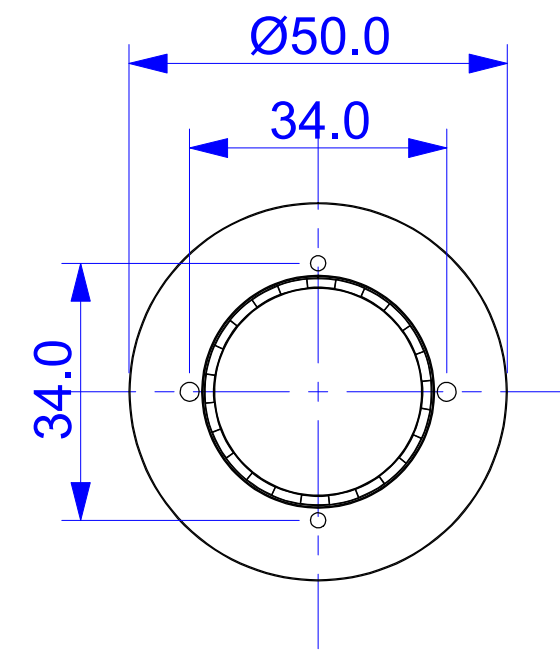
Sensor 1, cable max 2m (Sensor not included)

USB

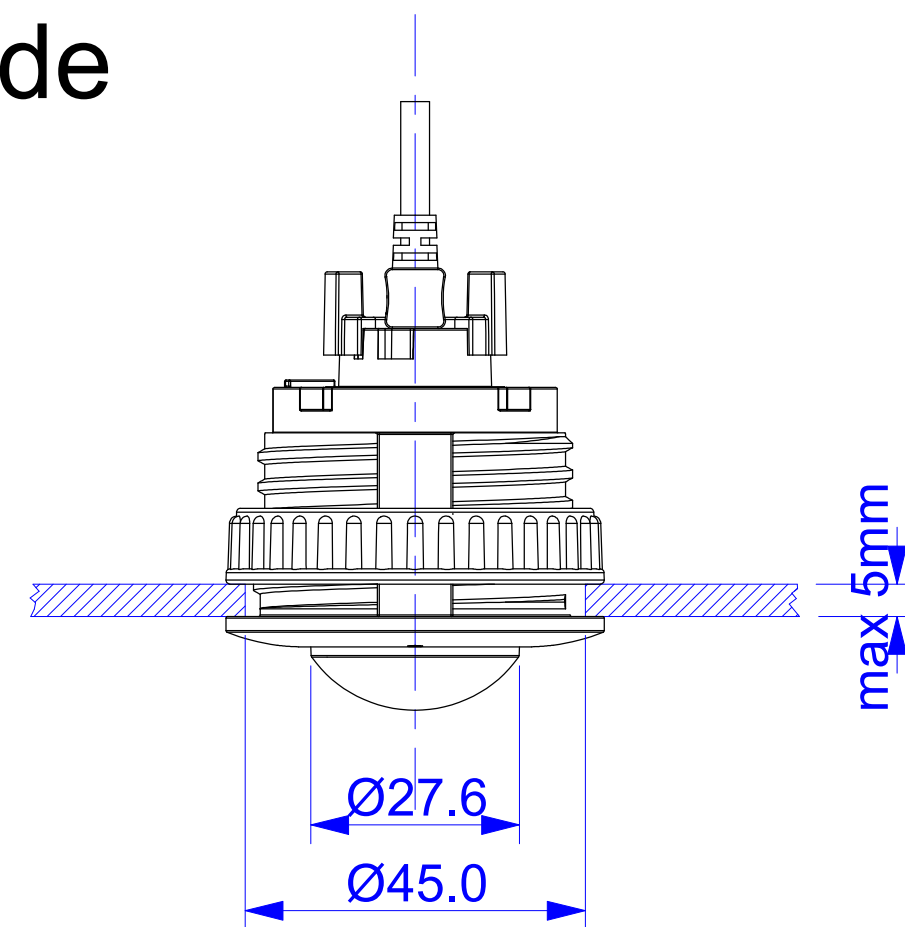
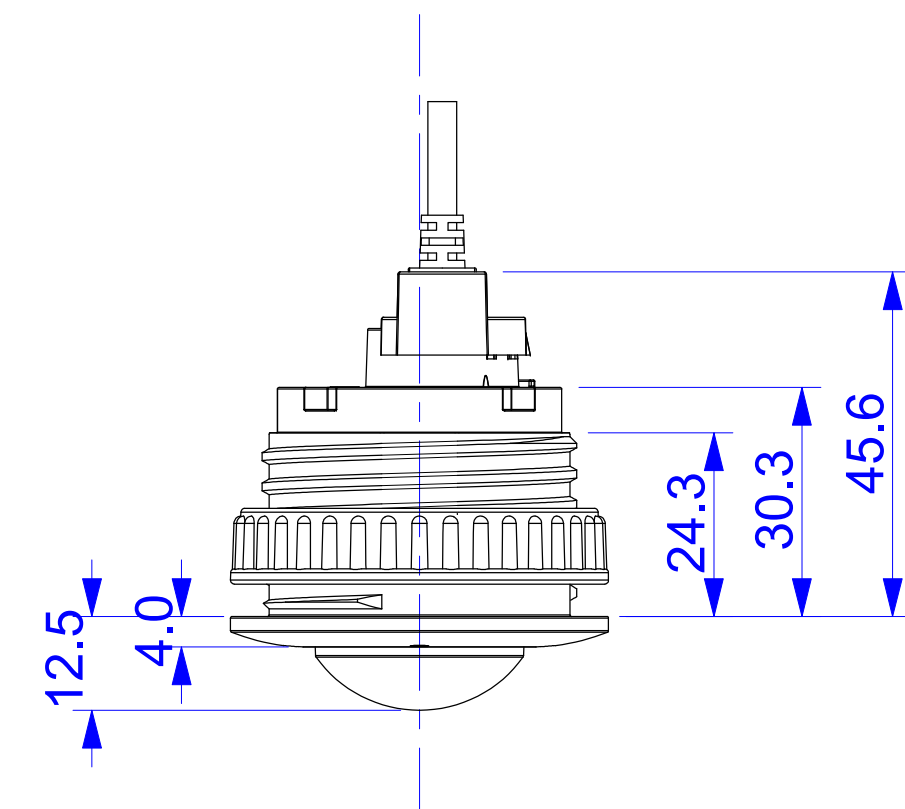
For internal use only. Technical specifications subject to change without notice. MOBOTIX does not assume responsibility for mistakes and recommends to verify measures and mechanical design with an actual product of the chosen MOBOTIX hardware. The reproduction, distribution and utilization of this document as well as the communication of its contents to others without express authorization is prohibited. Offenders will be held liable for the payment of damages. All rights reserved in the event of the grant of a patent, Utility model, design or trademark. No rights are transferred herewith.

All measures are in mm		Surface quality		 Security-Vision-Systems Company		MOBOTIX AG	
Drawn	Name	Signature	Date	Product		S15D Camera	
Tested	SBe		07.05.12				
Approved							
Production							
Quality				Material		Drawing	
						DIN A1	
				Weight		Scale 1:1	
						Page 1/1	

Front

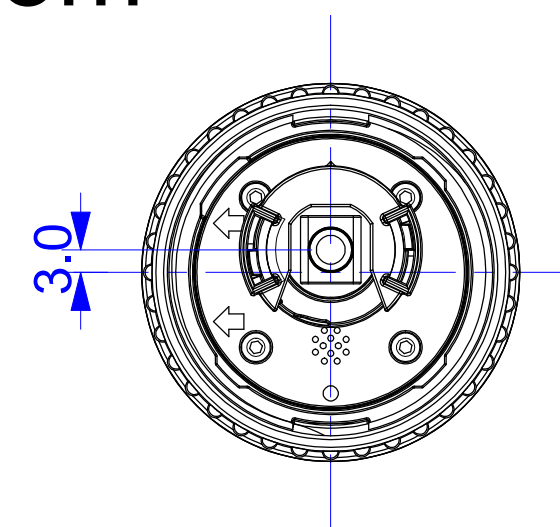


Side

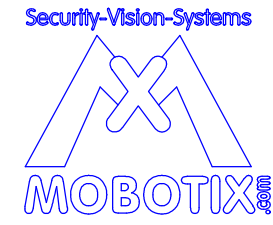


Use Mobotix sensor housing extension for thicker panels.

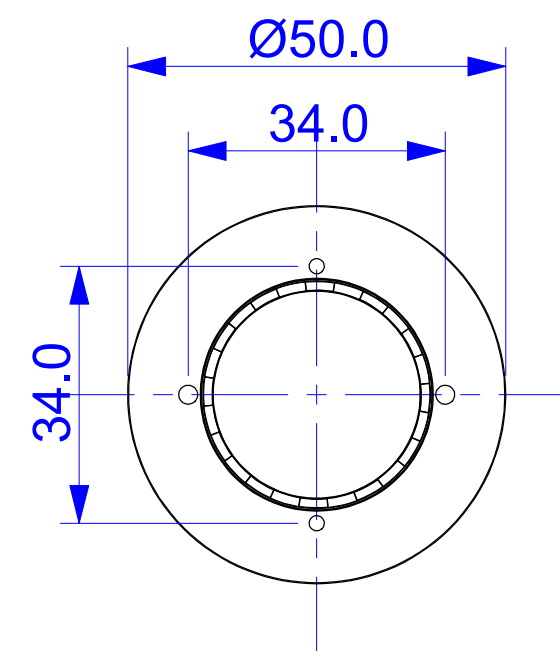
Bottom



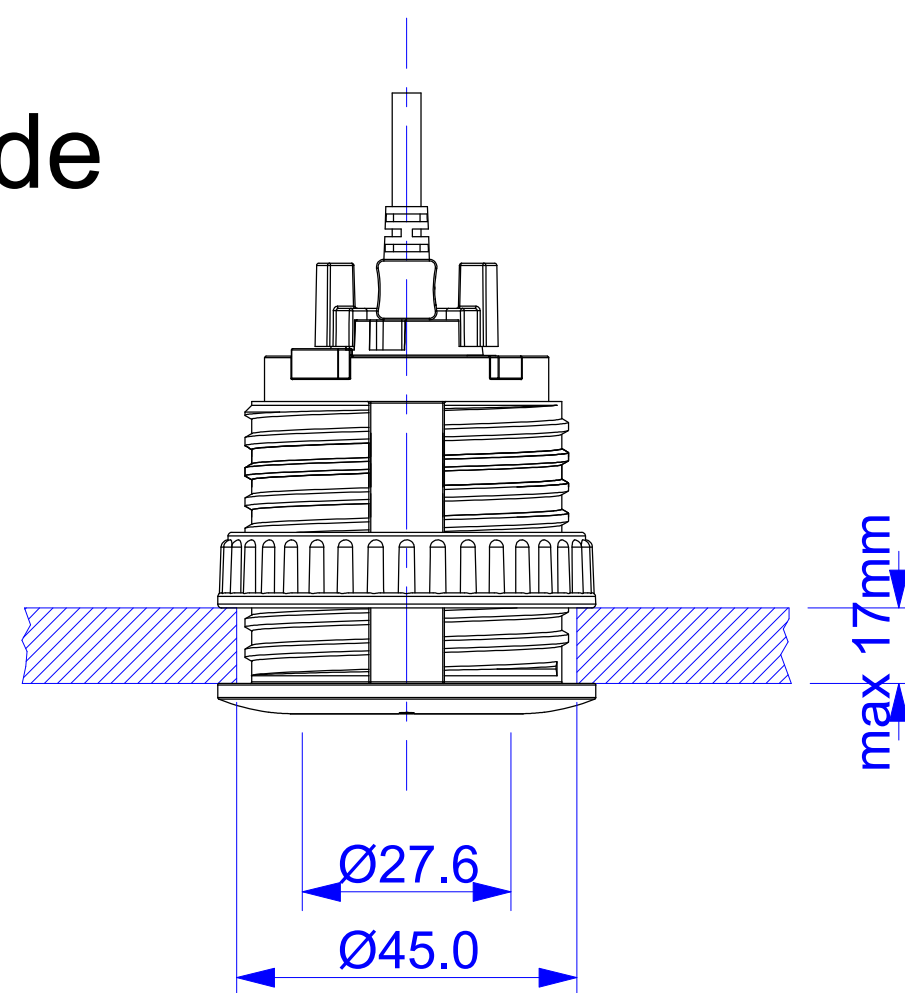
For internal use only. Technical specifications subject to change without notice. MOBOTIX does not assume responsibility for mistakes and recommends to verify measures and mechanical design with an actual product of the chosen MOBOTIX hardware. The reproduction, distribution and utilization of this document as well as the communication of its contents to others without express authorization is prohibited. Offenders will be held liable for the payment of damages. All rights reserved in the event of the grant of a patent, Utility model, design or trademark. No rights are transferred herewith.

All measures are in mm		Surface quality				Company	
						MOBOTIX AG	
	Name	Signature	Date			Product	
Drawn	SBe		07.05.12			5MP L12, 6MP B016 Sensor CeilingMount	
Tested							
Approved							
Production							
Quality				Material		Drawing	
				Weight		Scale 1:1	
						Page 1/1	
						DIN A1	

Front

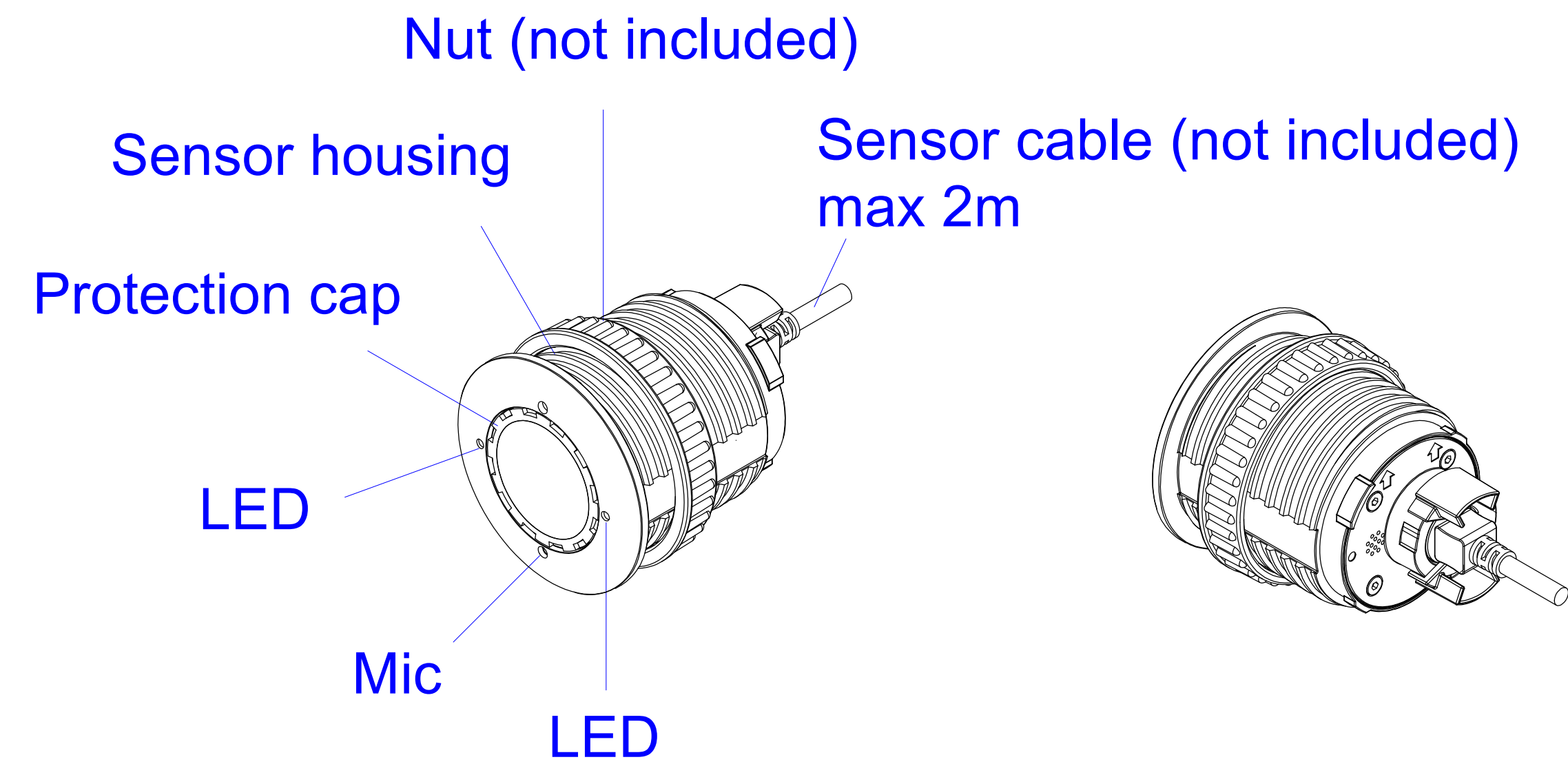
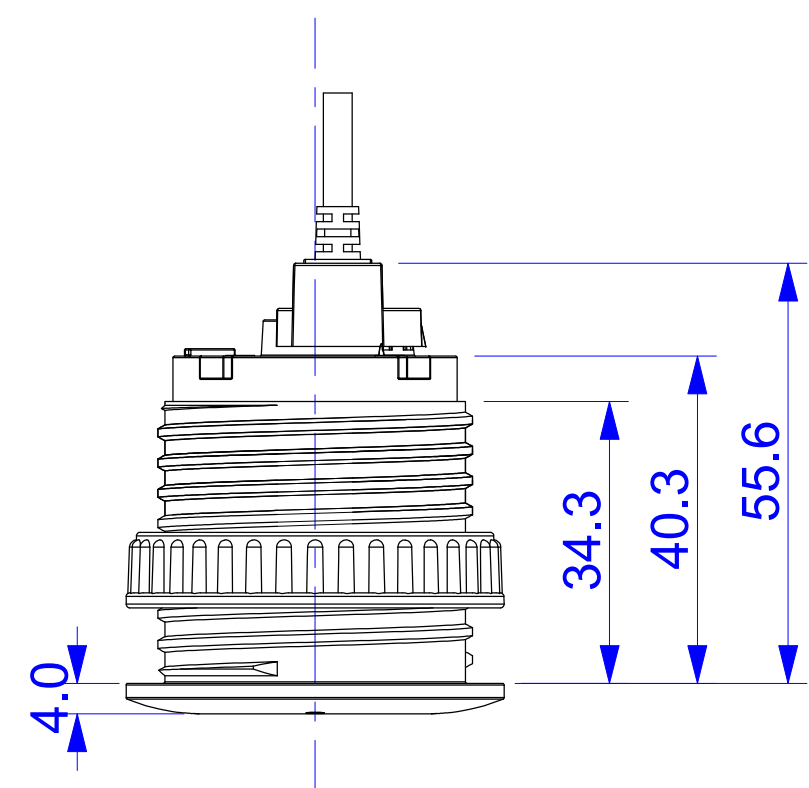
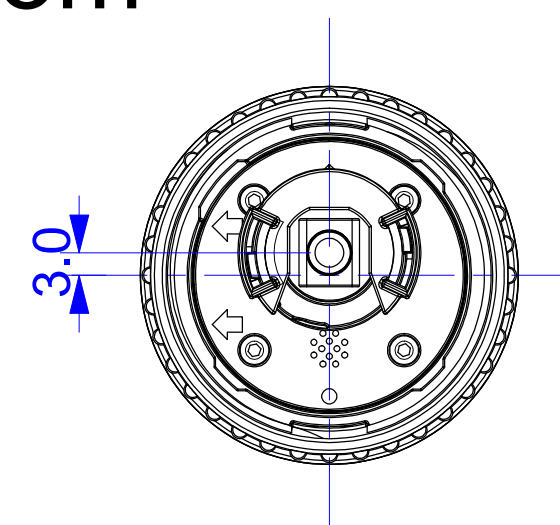


Side

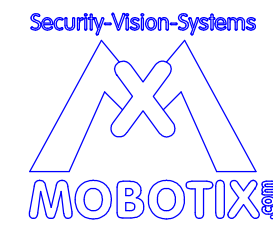


Use Mobotix sensor housing extension for thicker panels.

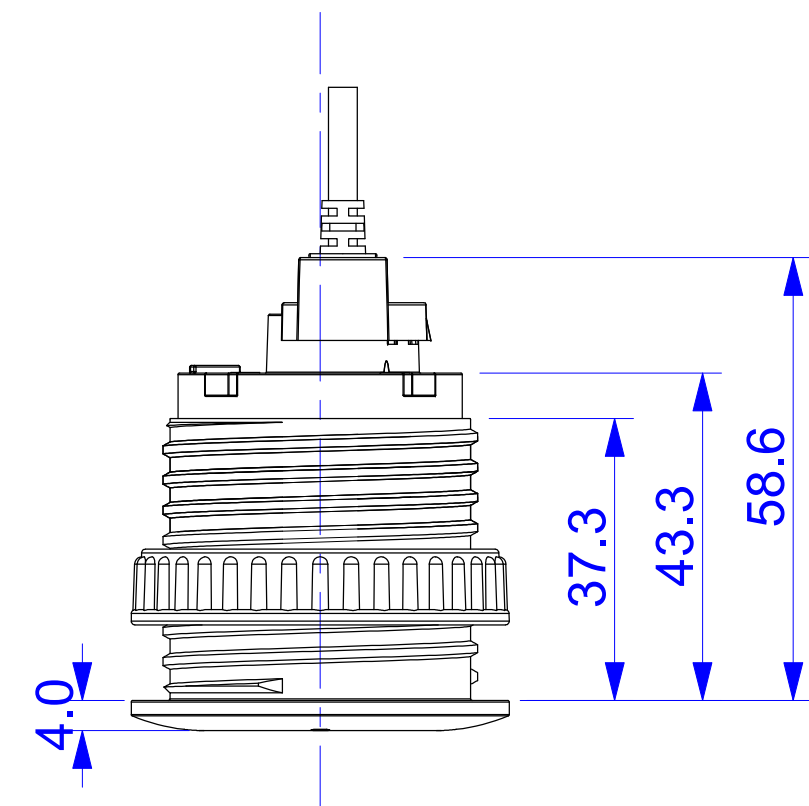
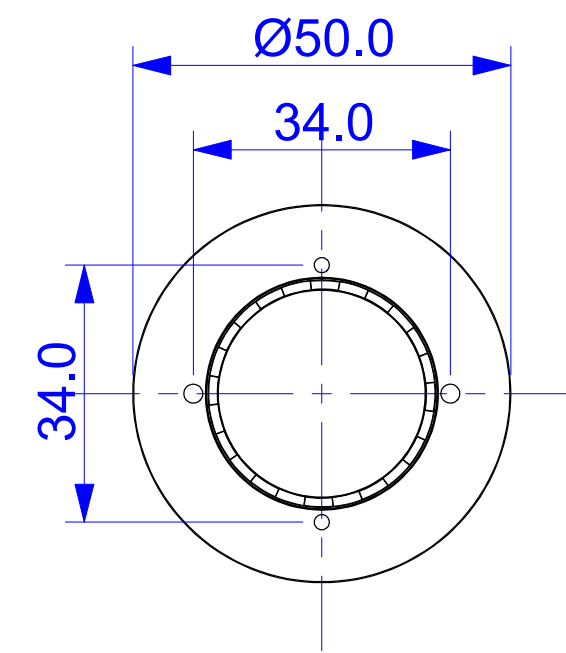
Bottom



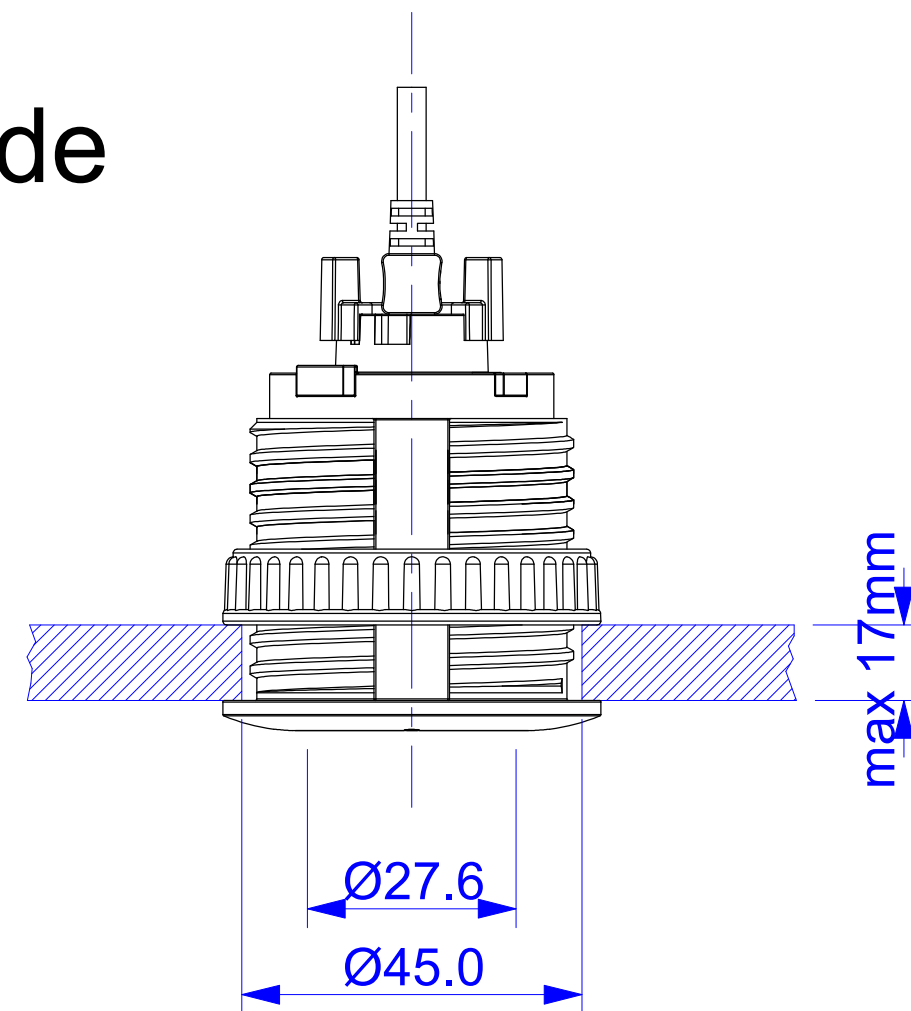
For internal use only. Technical specifications subject to change without notice. MOBOTIX does not assume responsibility for mistakes and recommends to verify measures and mechanical design with an actual product of the chosen MOBOTIX hardware. The reproduction, distribution and utilization of this document as well as the communication of its contents to others without express authorization is prohibited. Offenders will be held liable for the payment of damages. All rights reserved in the event of the grant of a patent, Utility model, design or trademark. No rights are transferred herewith.

All measures are in mm		Surface quality				Company	
						MOBOTIX AG	
	Name	Signature	Date			Product 5MP L23, L25, L51 Sensor 6MP B036, B041, B079 Sensor CeilingMount	
Drawn	SBe		07.05.12				
Tested							
Approved							
Production							
Quality				Material		Drawing	
				Weight		Scale 1:1	Page 1/1
						DIN A1	

Front

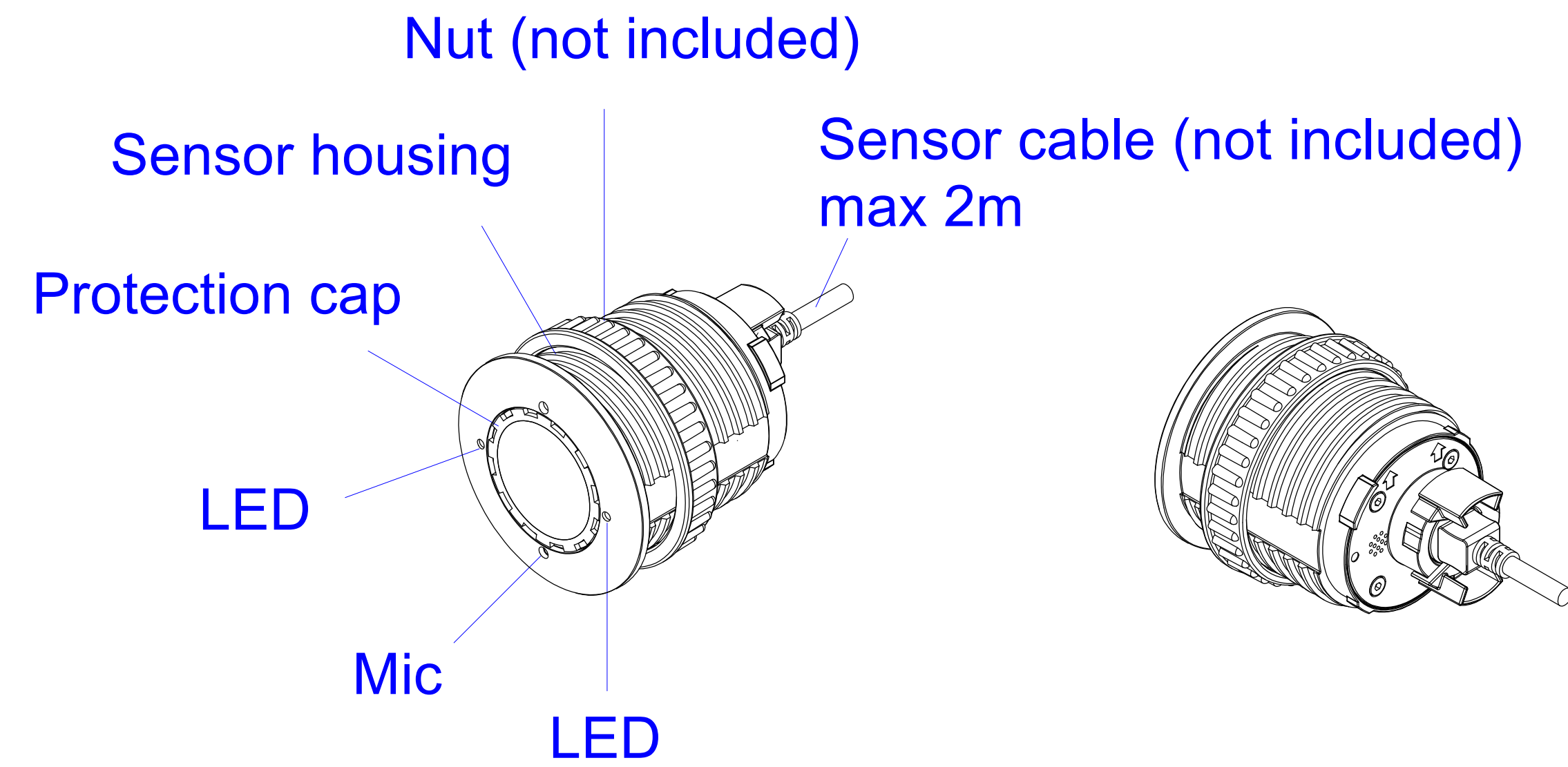
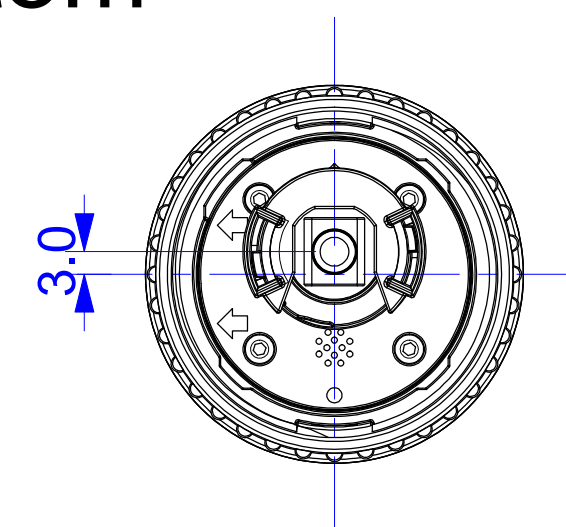


Side

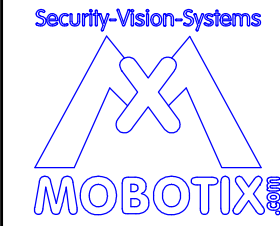


Use Mobotix sensor housing extension for thicker panels.

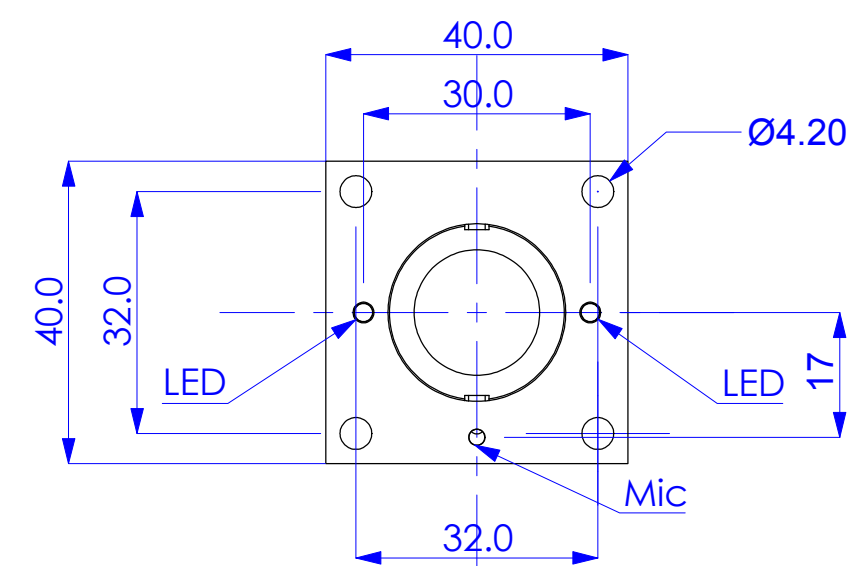
Bottom



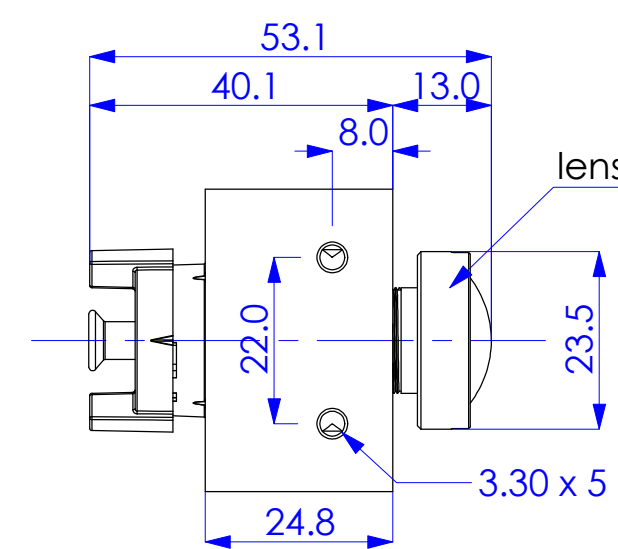
For internal use only. Technical specifications subject to change without notice. MOBOTIX does not assume responsibility for mistakes and recommends to verify measures and mechanical design with an actual product of the chosen MOBOTIX hardware. The reproduction, distribution and utilization of this document as well as the communication of its contents to others without express authorization is prohibited. Offenders will be held liable for the payment of damages. All rights reserved in the event of the grant of a patent, Utility model, design or trademark. No rights are transferred herewith.

All measures are in mm		Surface quality				Company		<p style="text-align: center;">MOBOTIX AG</p>	
						Product			
Drawn	Name	Signature	Date			Drawing		<p style="text-align: right;">DIN A1</p>	
	SBe		07.05.12						
Tested									
Approved									
Production									
Quality					Material				
					Weight			Scale 1:1	
								Page 1/1	

Front

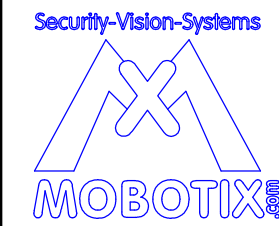


Side

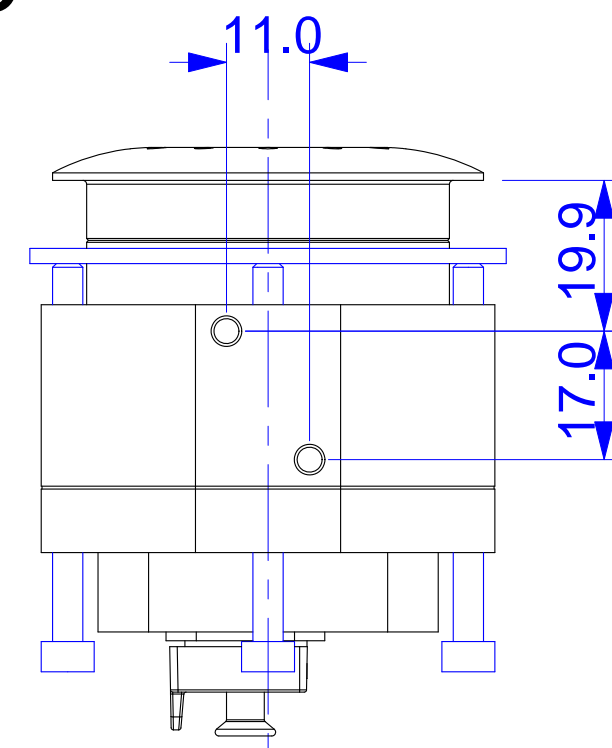


Name	lens		focal length [mm]	f	D [mm]	L1 [mm]	L2 [mm]
	6MP	5MP					
MX0011	B016	L12	1,8	2,0	23,5	13,0 +/-0,5	53,0 +/-0,5
MX0026	B036	L23	3,6	1,8	22,0	18,3 +/-0,5	58,3 +/-0,5
MX0025	B041	L25	4	1,8	22,0	18,5 +/-0,5	58,5 +/-0,5
MX0024	B061	L38	6	1,8	22,0	18,2 +/-0,5	58,2 +/-0,5
MX0023	B079	L51	7,9	1,8	20,0	16,5 +/-0,5	56,5 +/-0,5
MX0022	B119	L76	11,9	1,8	22,0	7,8 +/-0,5	47,8 +/-0,5
MX0021	B237	L160	24	1,8	22,0	18,0 +/-1,0	58,0 +/-1,0
	B500	L320	50	2,5	27,0	42,2 +/-1,0	82,3 +/-1,0

For internal use only. Technical specifications subject to change without notice. MOBOTIX does not assume responsibility for mistakes and recommends to verify measures and mechanical design with an actual product of the chosen MOBOTIX hardware. The reproduction, distribution and utilization of this document as well as the communication of its contents to others without express authorization is prohibited. Offenders will be held liable for the payment of damages. All rights reserved in the event of the grant of a patent, Utility model, design or trademark. No rights are transferred herewith.

All measures are in mm		Surface quality				Company		<p style="text-align: center;">MOBOTIX AG</p>	
						Product			
Drawn	Name	Signature	Date						
	SBe		07.05.12						
Tested									
Approved									
Production									
Quality				Material		Drawing		DIN A1	
				Weight		Scale 1:1		Page 1/1	

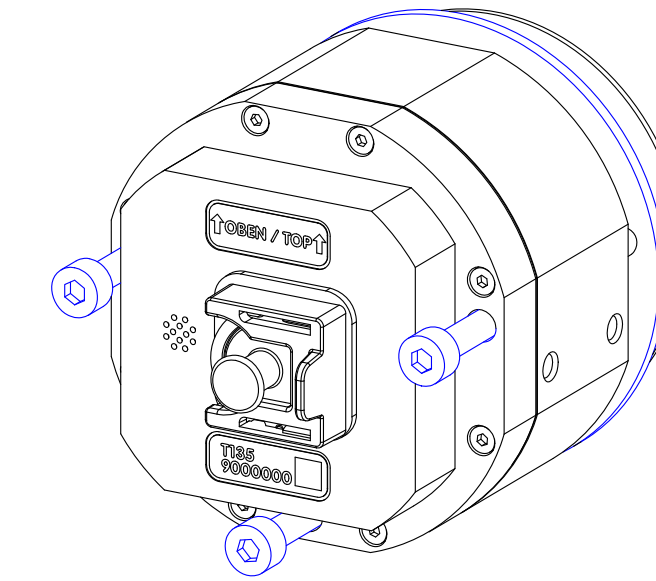
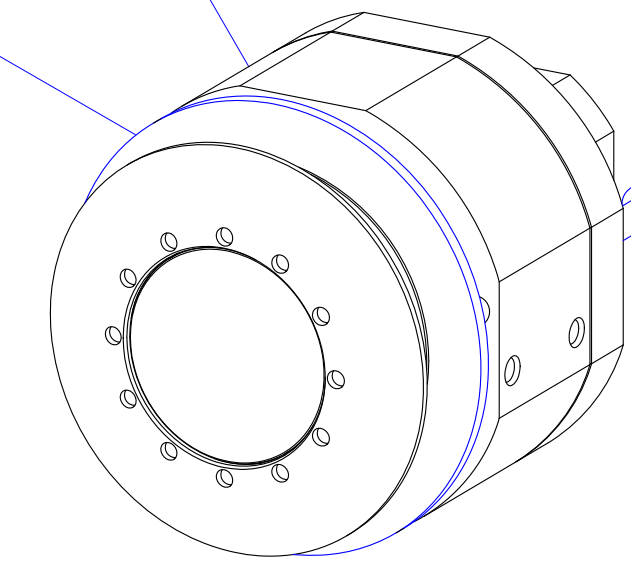
Side



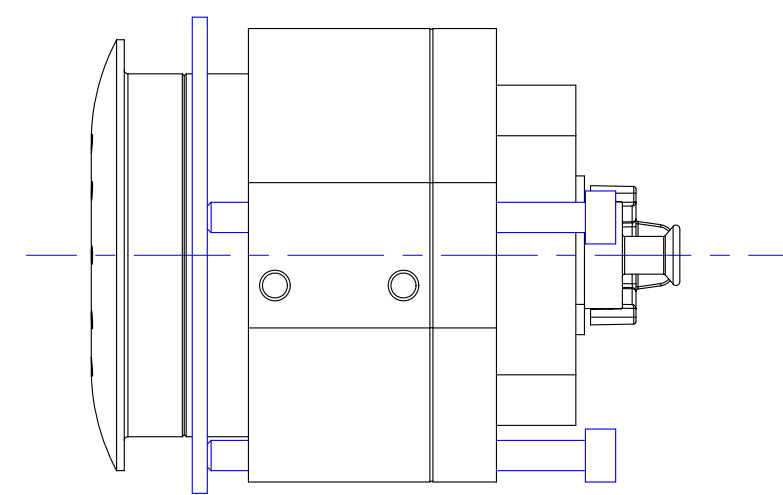
Mounting ring screws

Sensor housing

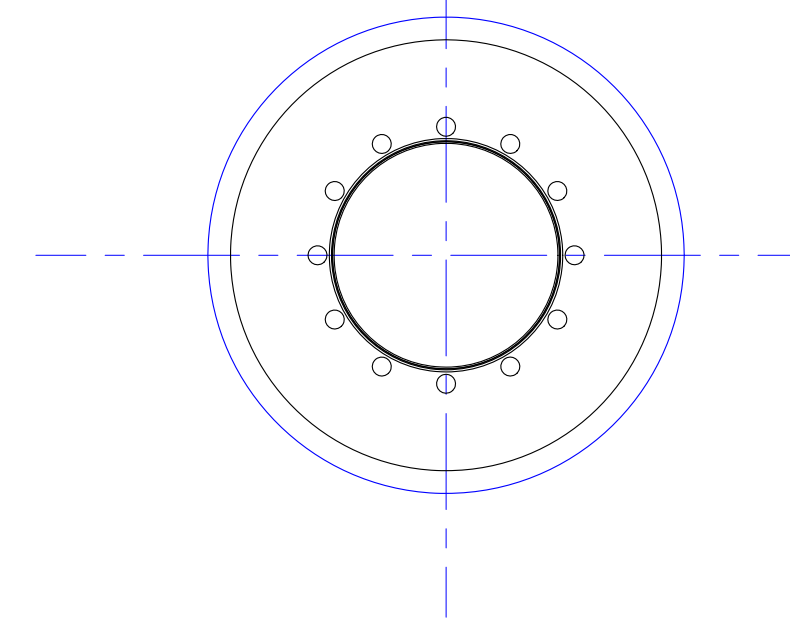
Mounting ring



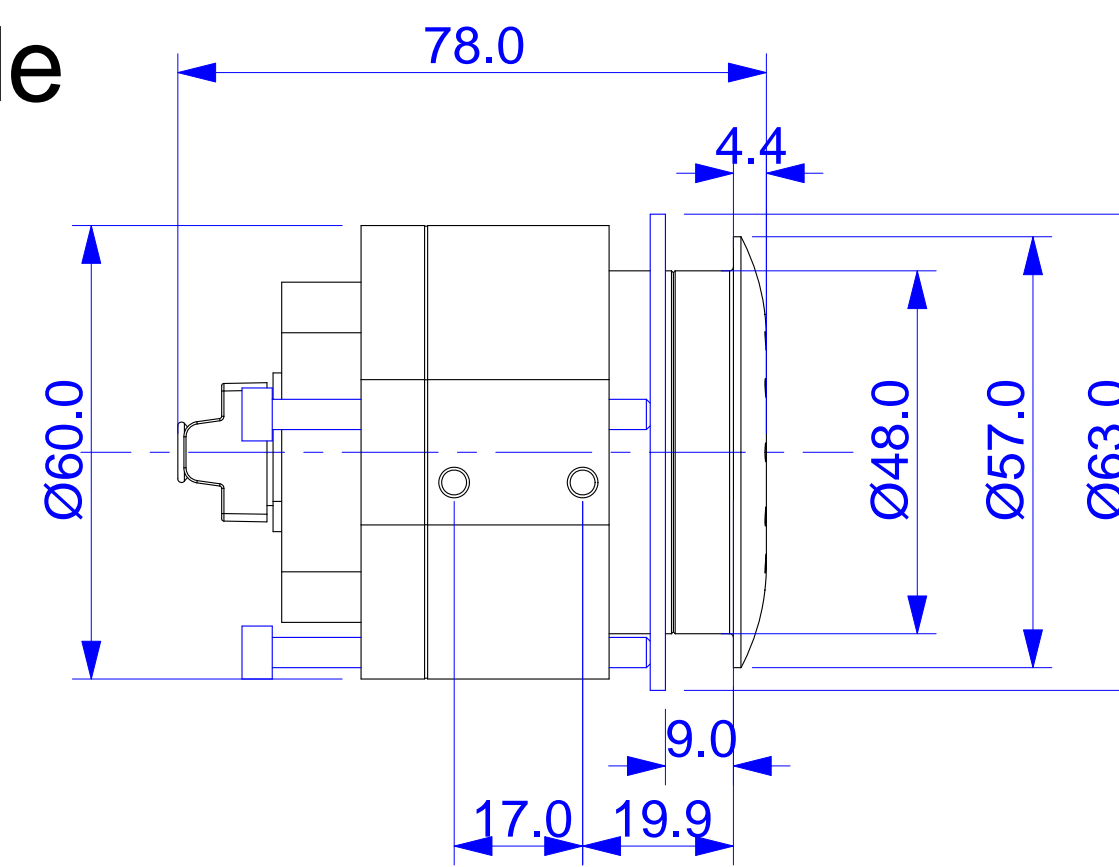
Side



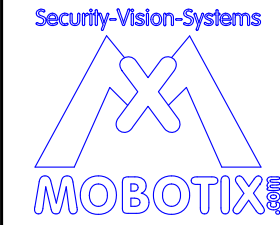
Front



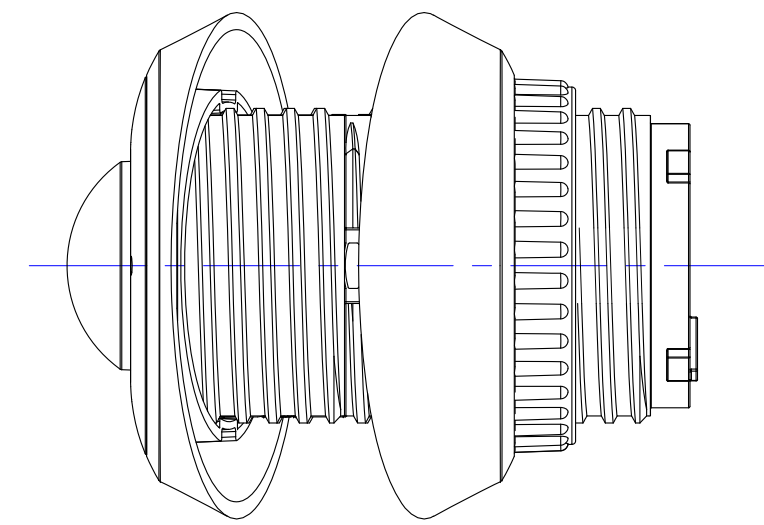
Side



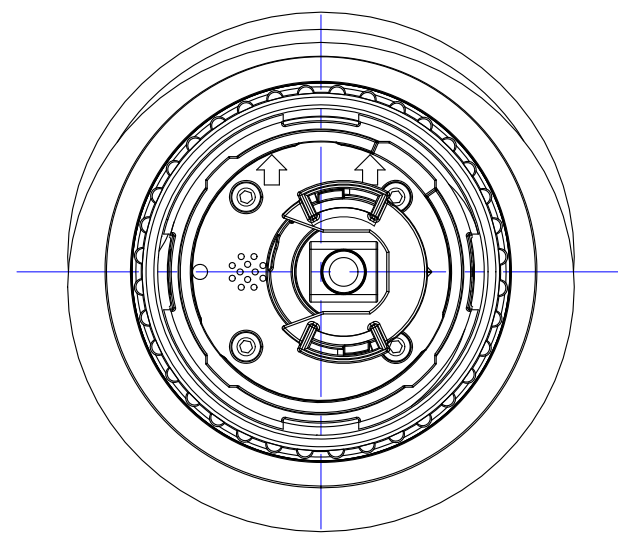
For internal use only. Technical specifications subject to change without notice. MOBOTIX does not assume responsibility for mistakes and recommends to verify measures and mechanical design with an actual product of the chosen MOBOTIX hardware. The reproduction, distribution and utilization of this document as well as the communication of its contents to others without express authorization is prohibited. Offenders will be held liable for the payment of damages. All rights reserved in the event of the grant of a patent, Utility model, design or trademark. No rights are transferred herewith.

All measures are in mm		Surface quality				Company		<p style="text-align: center;">MOBOTIX AG</p>	
						Product			
	Name	Signature	Date			Drawing		<p style="text-align: right;">DIN A1</p>	
Drawn	SBe		07.05.12						
Tested									
Approved									
Production									
Quality					Material				
					Weight				
						Scale 1:1		Page 1/1	

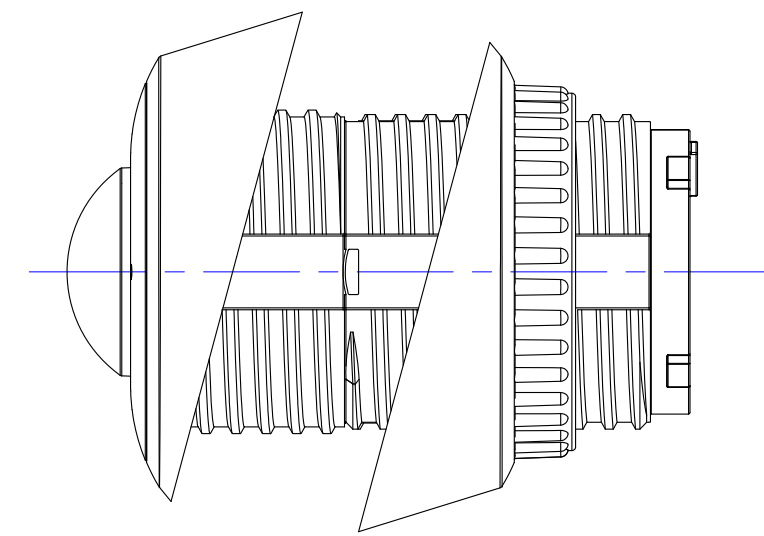
Bottom



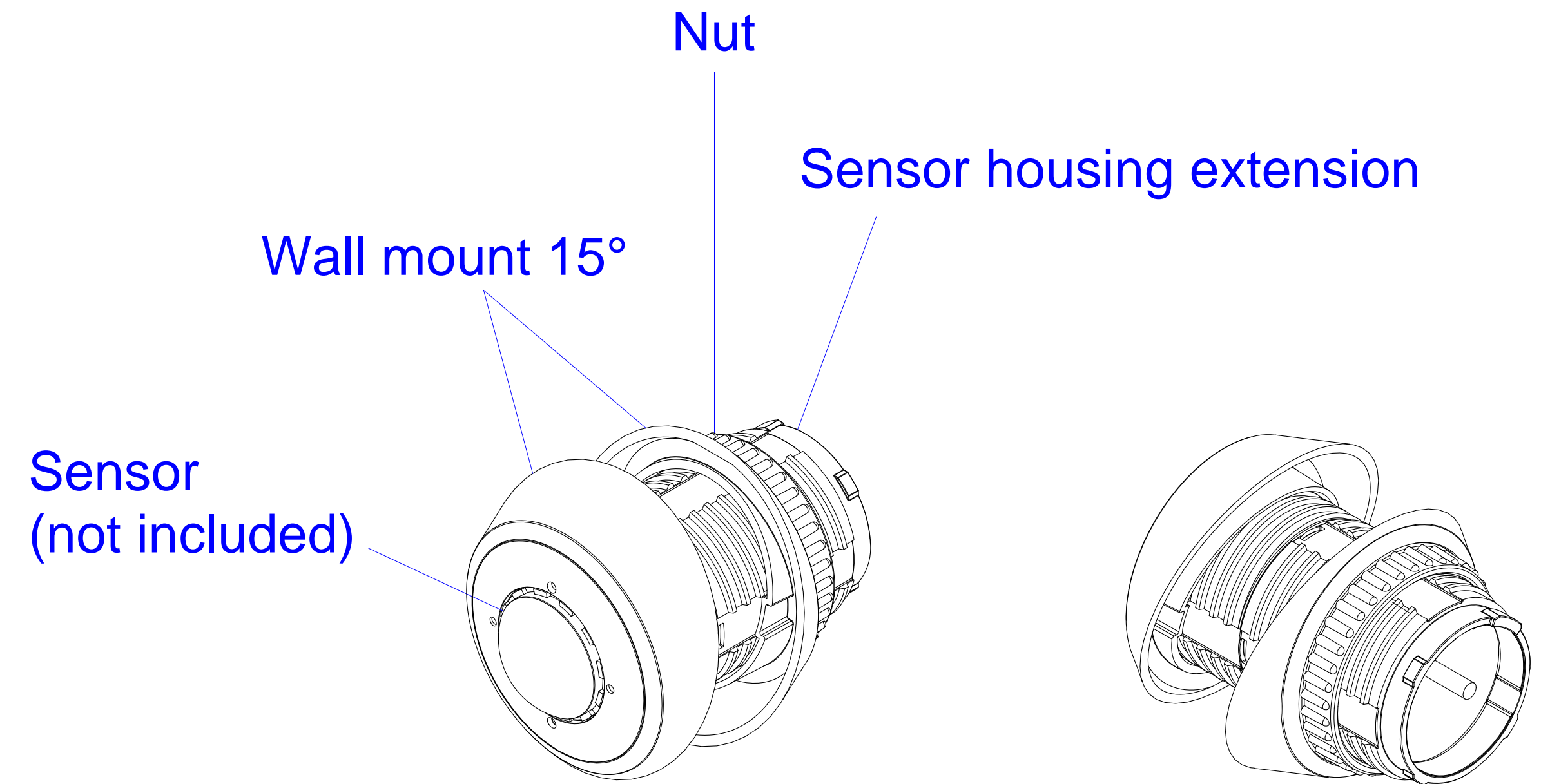
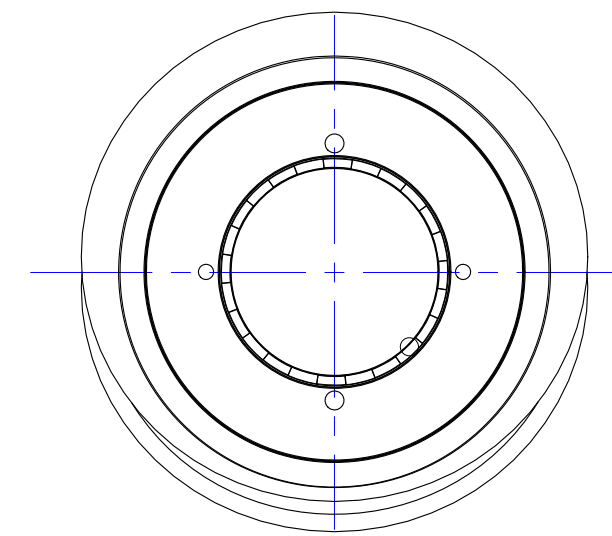
Bottom



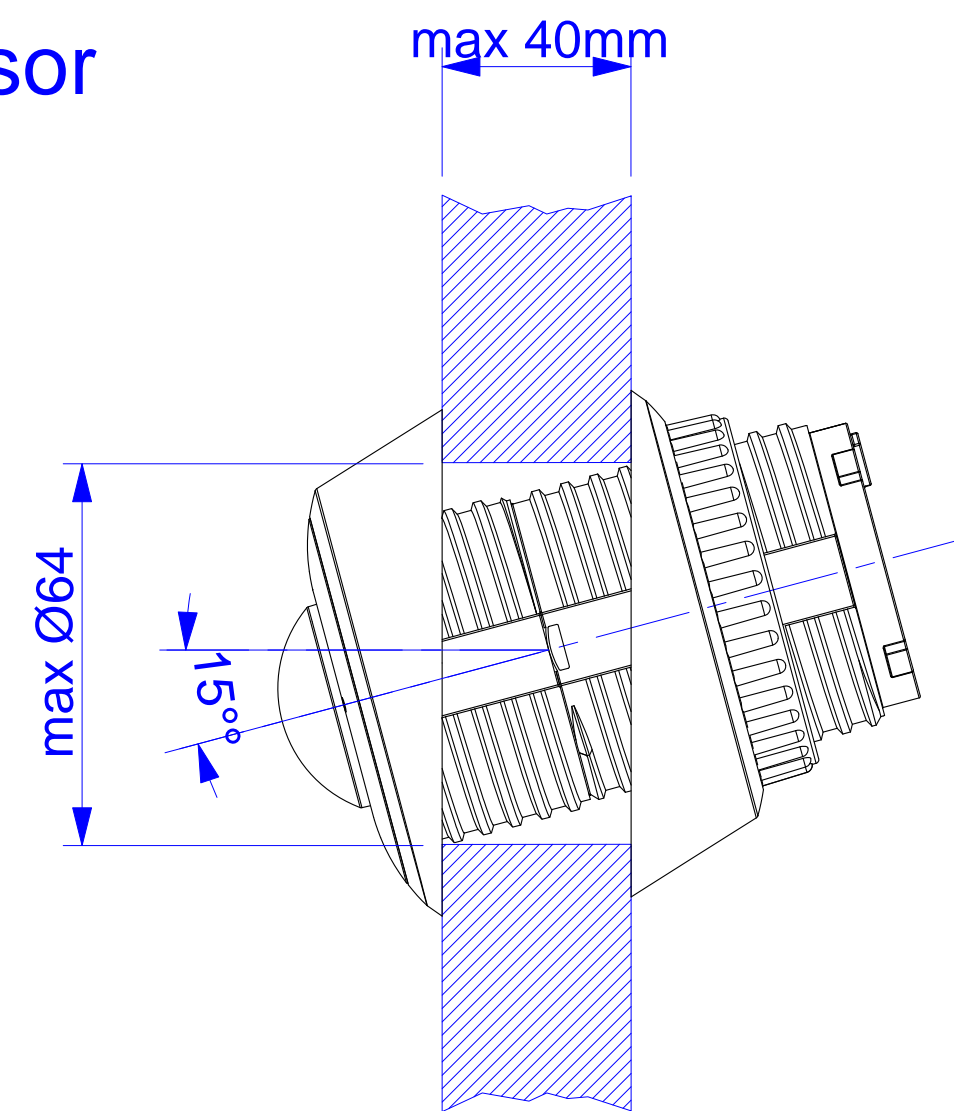
Side



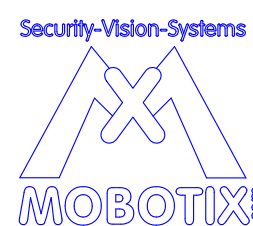
Front



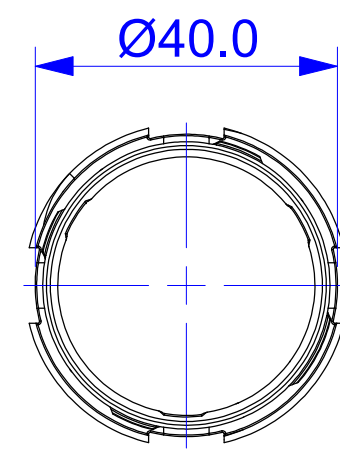
Example with L12 Sensor



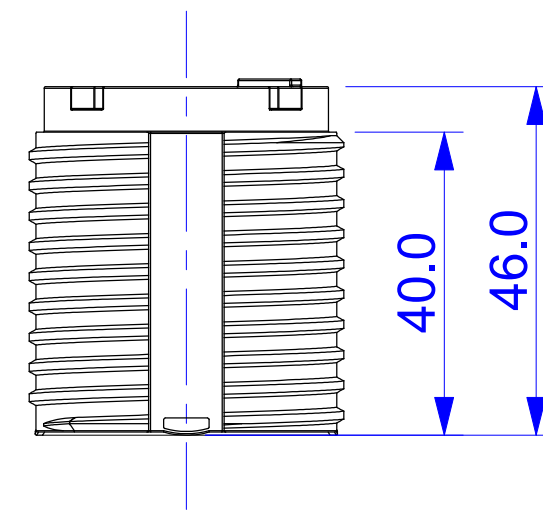
For internal use only. Technical specifications subject to change without notice. MOBOTIX does not assume responsibility for mistakes and recommends to verify measures and mechanical design with an actual product of the chosen MOBOTIX hardware. The reproduction, distribution and utilization of this document as well as the communication of its contents to others without express authorization is prohibited. Offenders will be held liable for the payment of damages. All rights reserved in the event of the grant of a patent, Utility model, design or trademark. No rights are transferred herewith.

All measures are in mm		Surface quality				Company		<p style="text-align: center;">MOBOTIX AG</p>	
						Product			
Drawn	Name	Signature	Date						
	SBe		07.05.12						
Tested									
Approved									
Production									
Quality				Material		Drawing		<p style="text-align: right;">DIN A1</p>	
				Weight		Scale 1:1		Page 1/1	

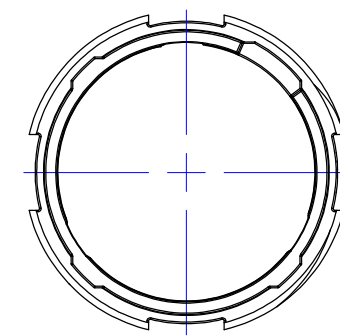
Front



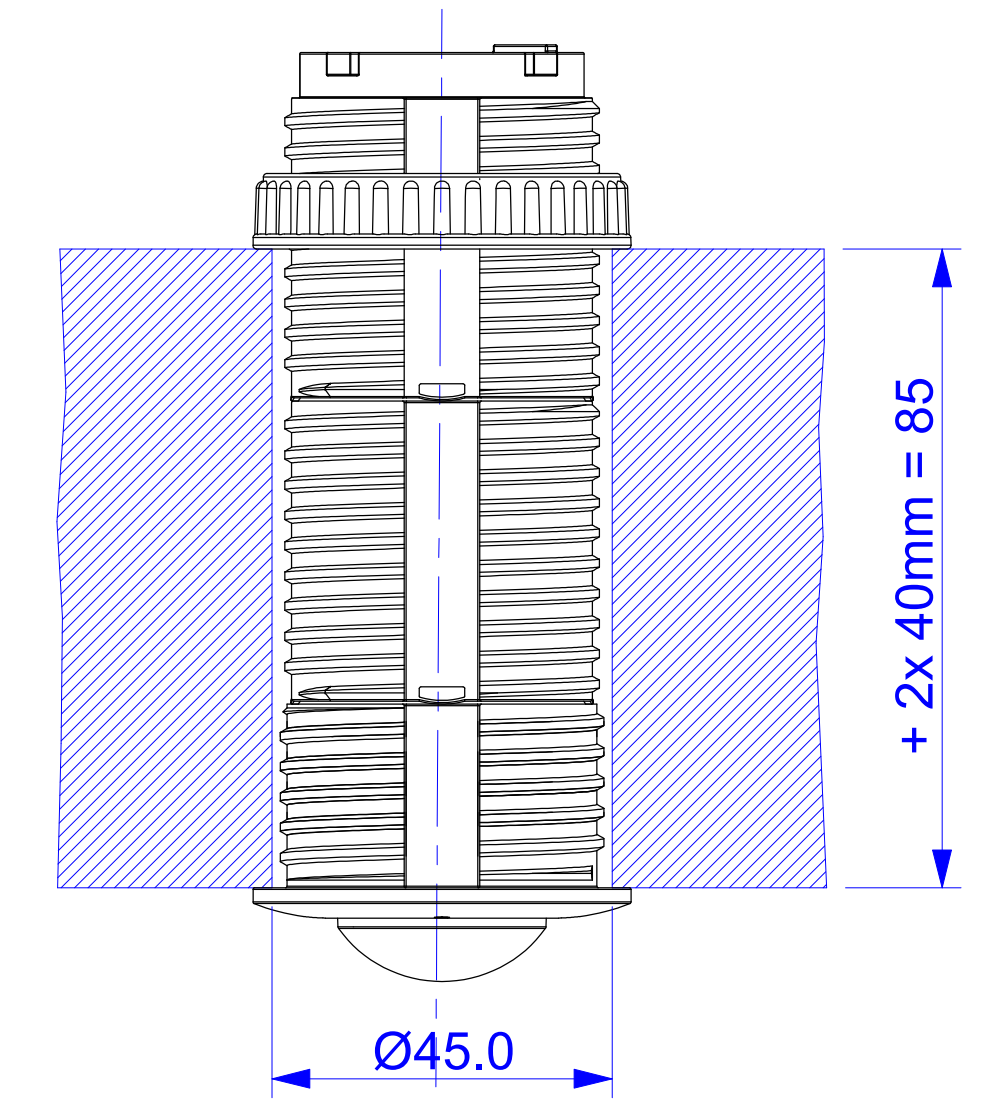
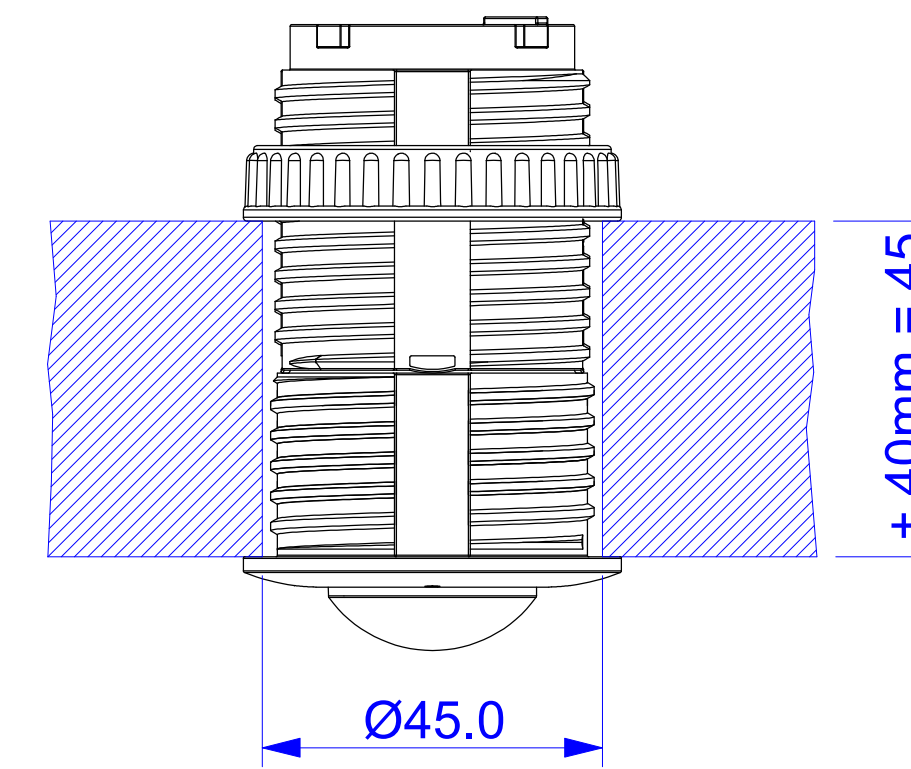
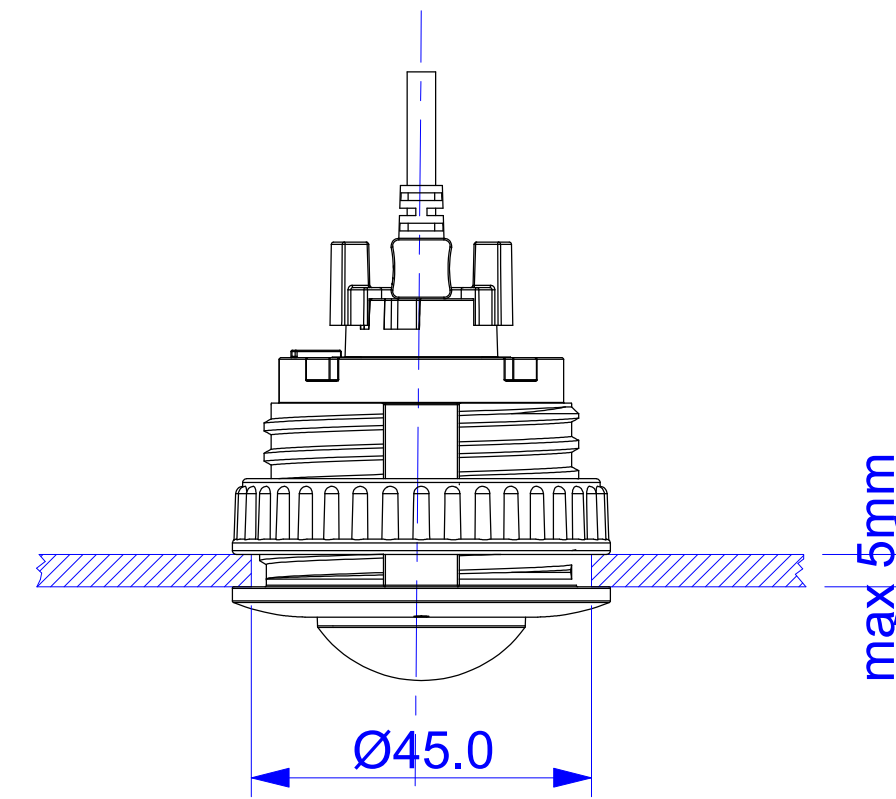
Side



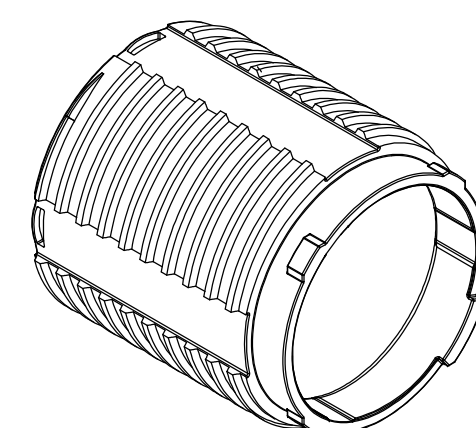
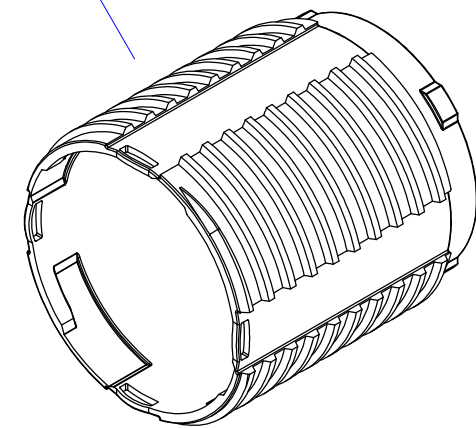
Bottom



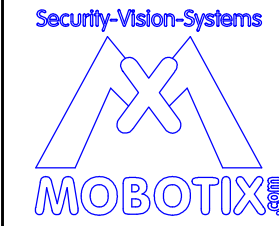
Example with 6MP B016, 5MP L12 Sensor, ceiling mount.
Each extension gives you 40mm more space.
You can use more than one on every sensor.



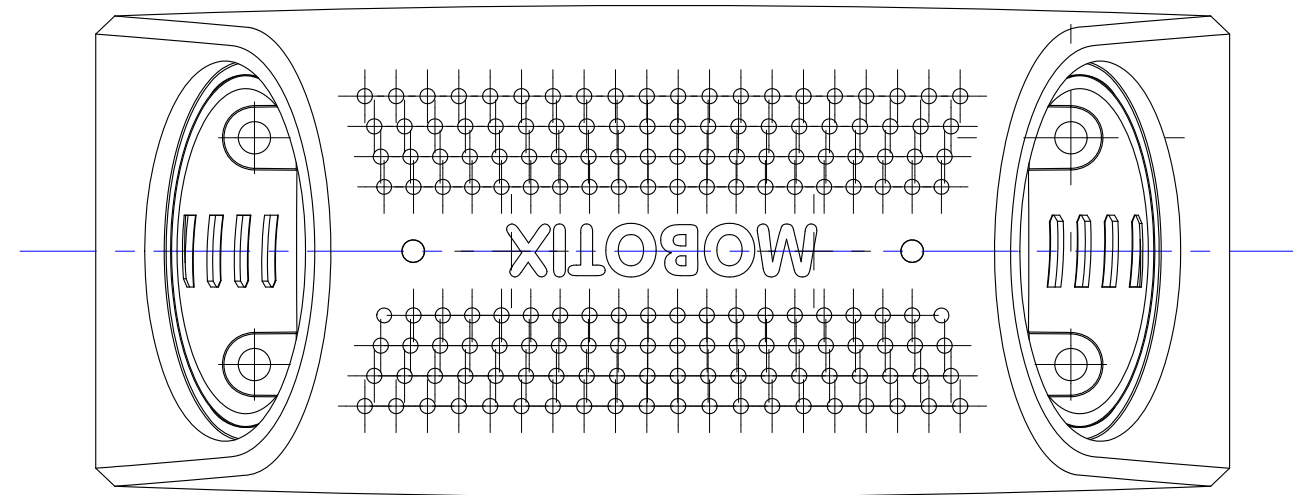
Housing extension
for all sensors



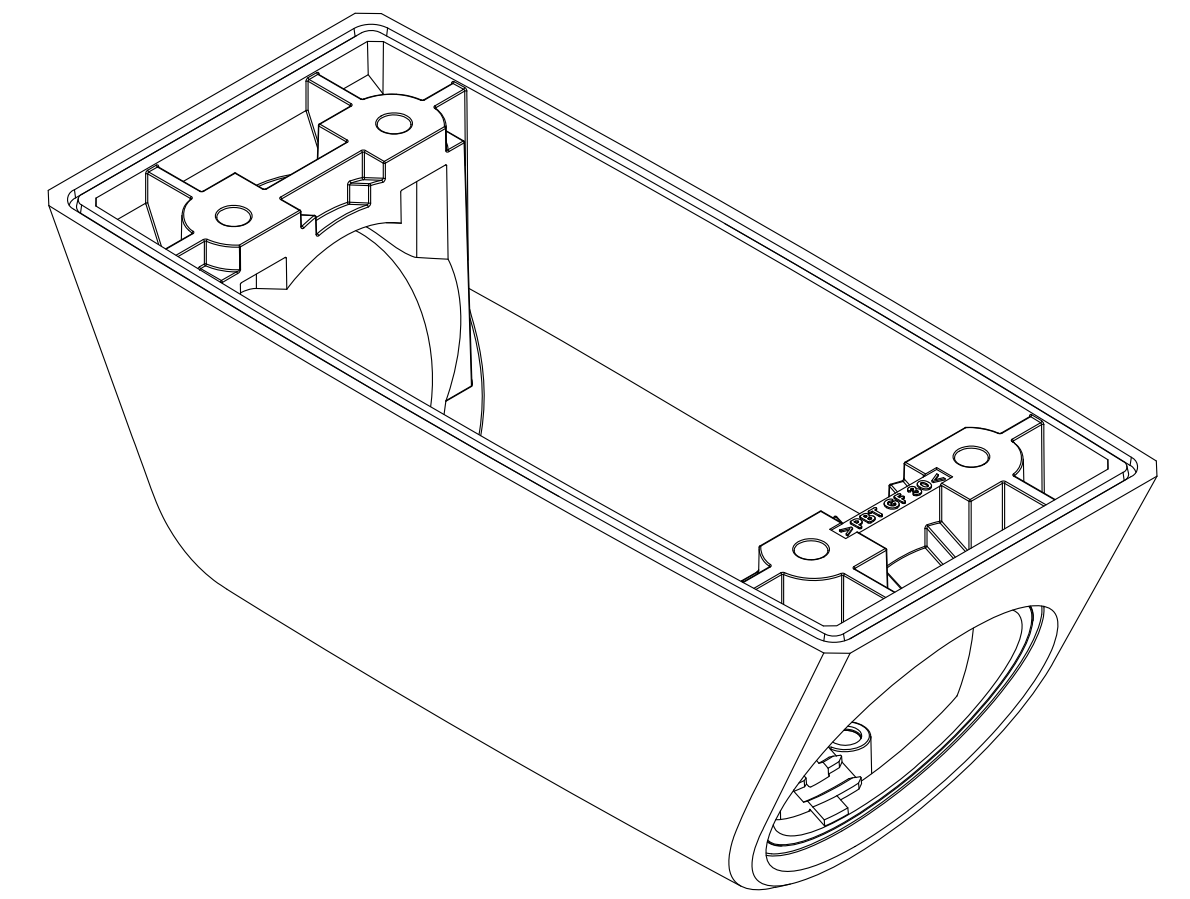
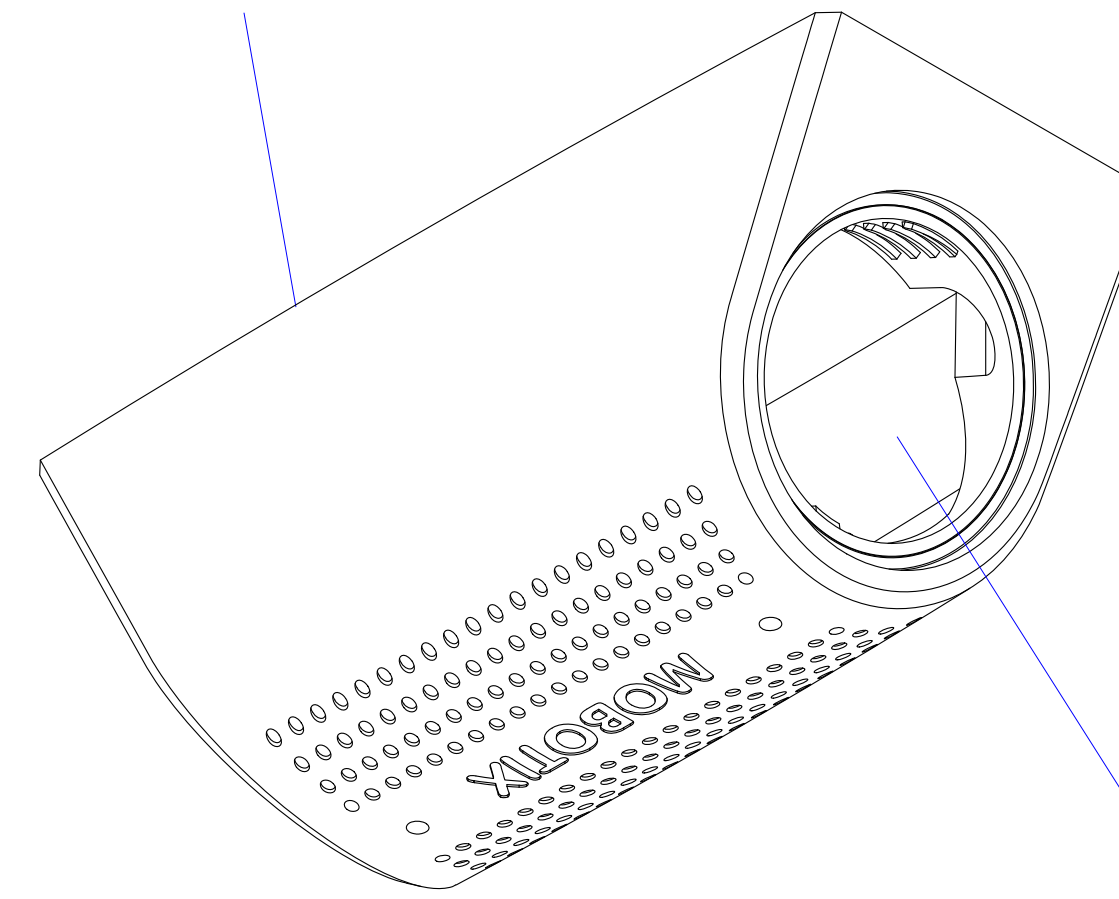
For internal use only. Technical specifications subject to change without notice. MOBOTIX does not assume responsibility for mistakes and recommends to verify measures and mechanical design with an actual product of the chosen MOBOTIX hardware. The reproduction, distribution and utilization of this document as well as the communication of its contents to others without express authorization is prohibited. Offenders will be held liable for the payment of damages. All rights reserved in the event of the grant of a patent, Utility model, design or trademark. No rights are transferred herewith.

All measures are in mm		Surface quality				Company	
						MOBOTIX AG	
	Name	Signature	Date			Product	
Drawn	SBe		07.05.12			Sensor Housing Extension	
Tested							
Approved							
Production							
Quality				Material		Drawing	
						DIN A1	
				Weight		Scale 1:1	
						Page 1/1	

Bottom

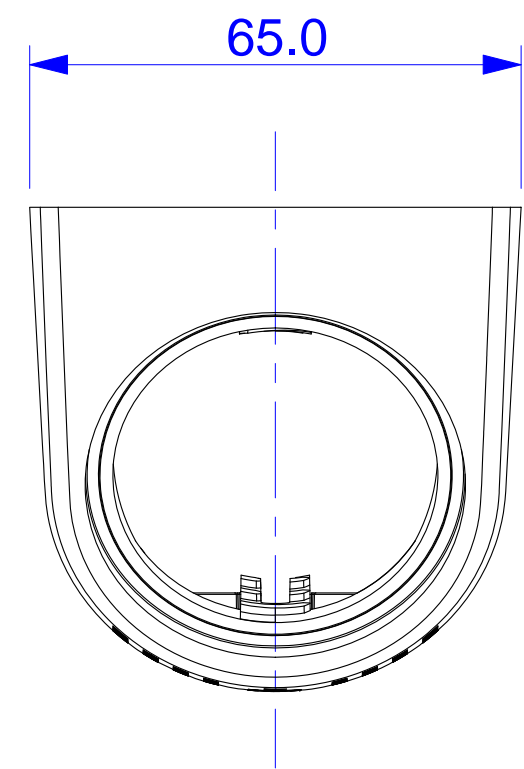


SurroundMount

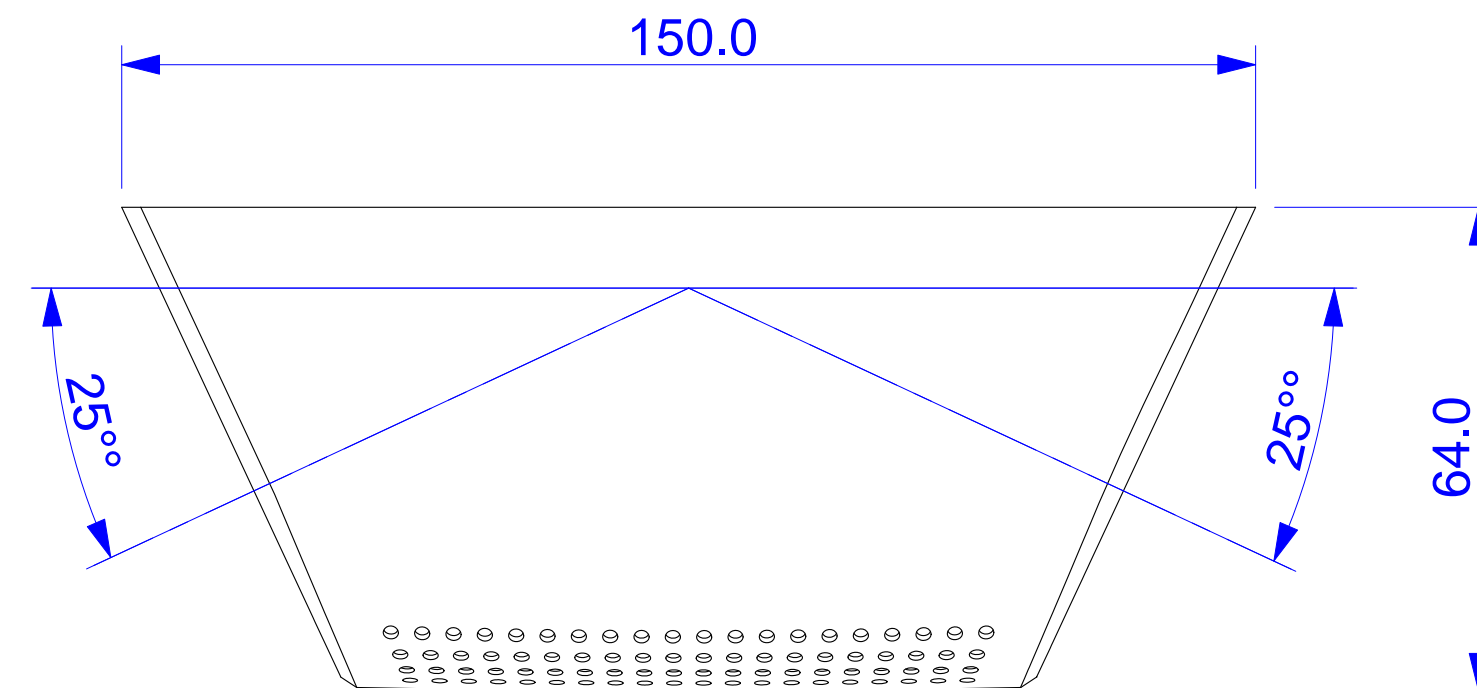


Space for Sensor Module

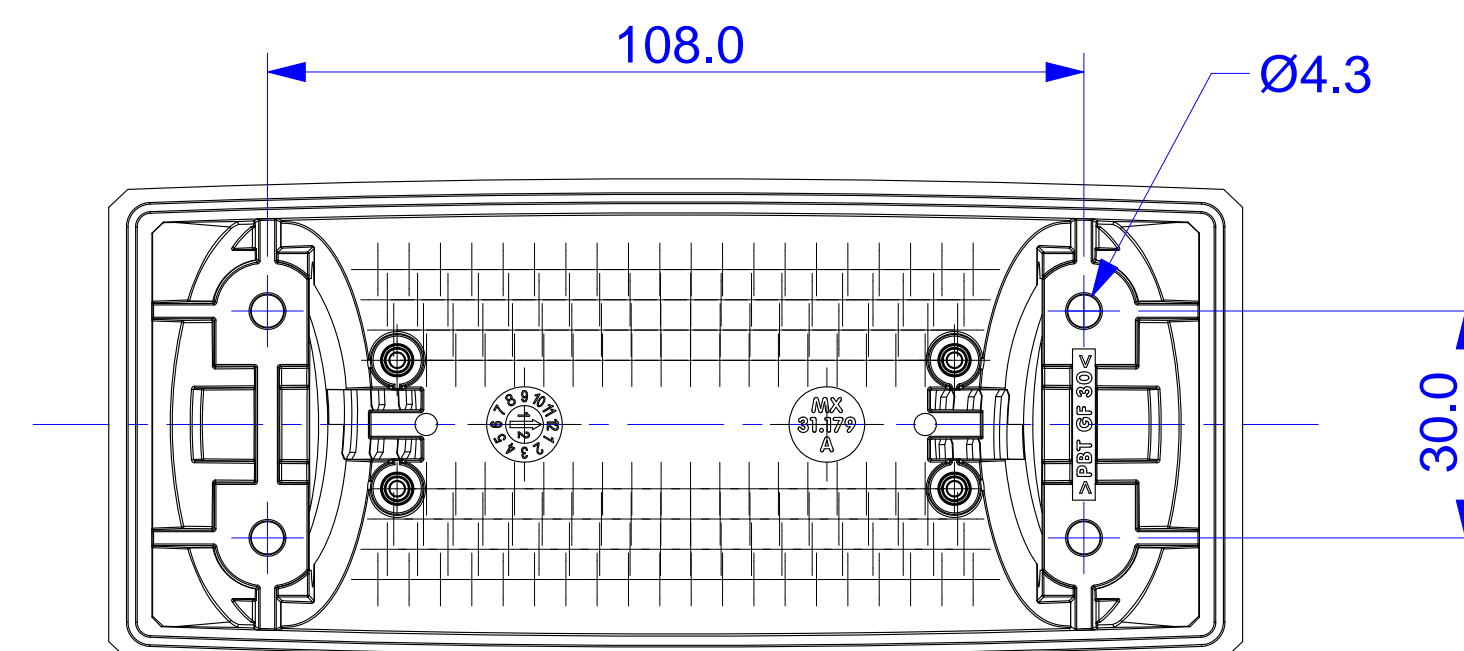
Front



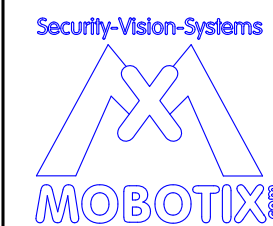
Side



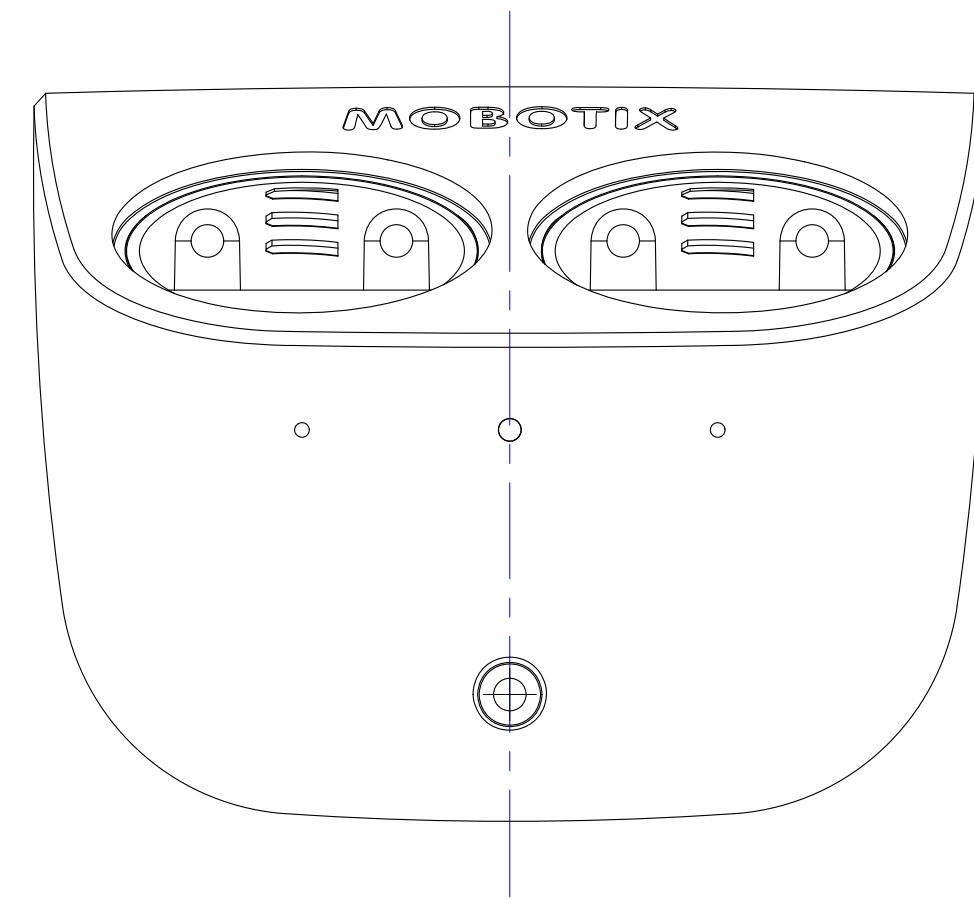
Top



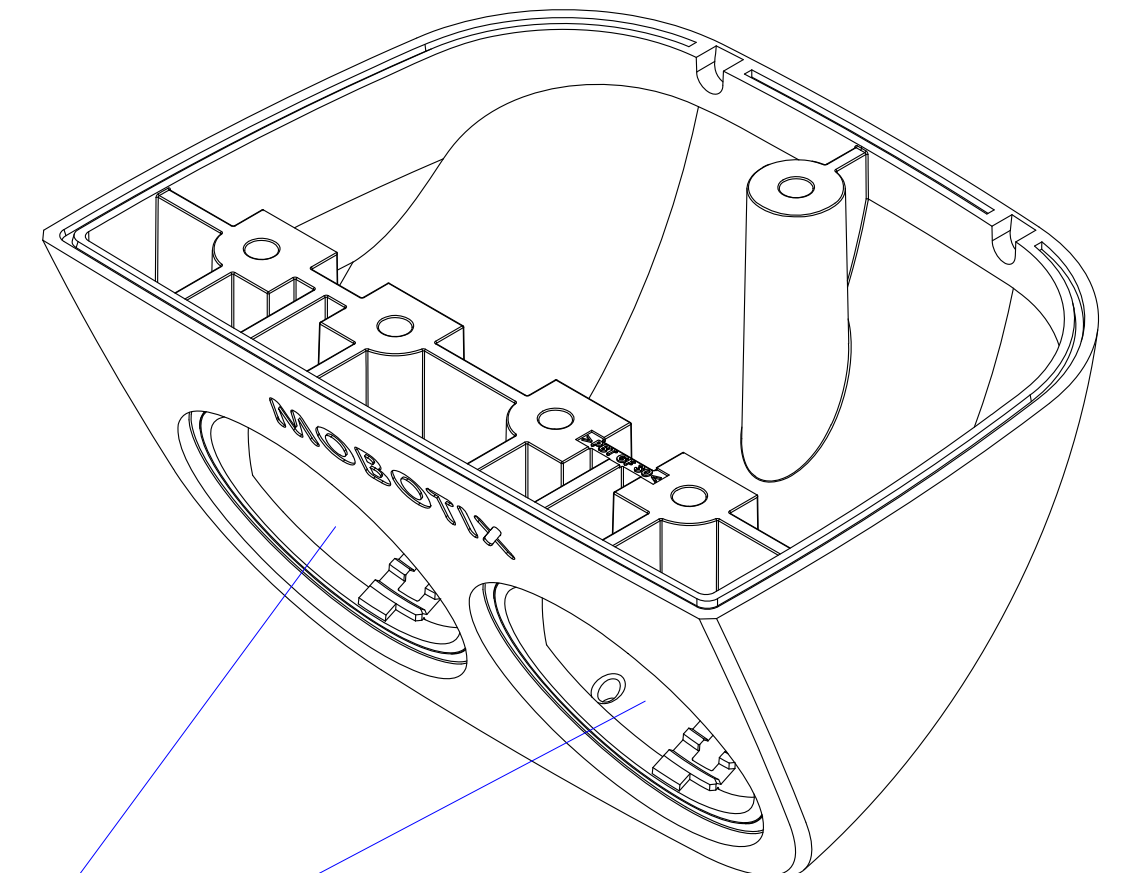
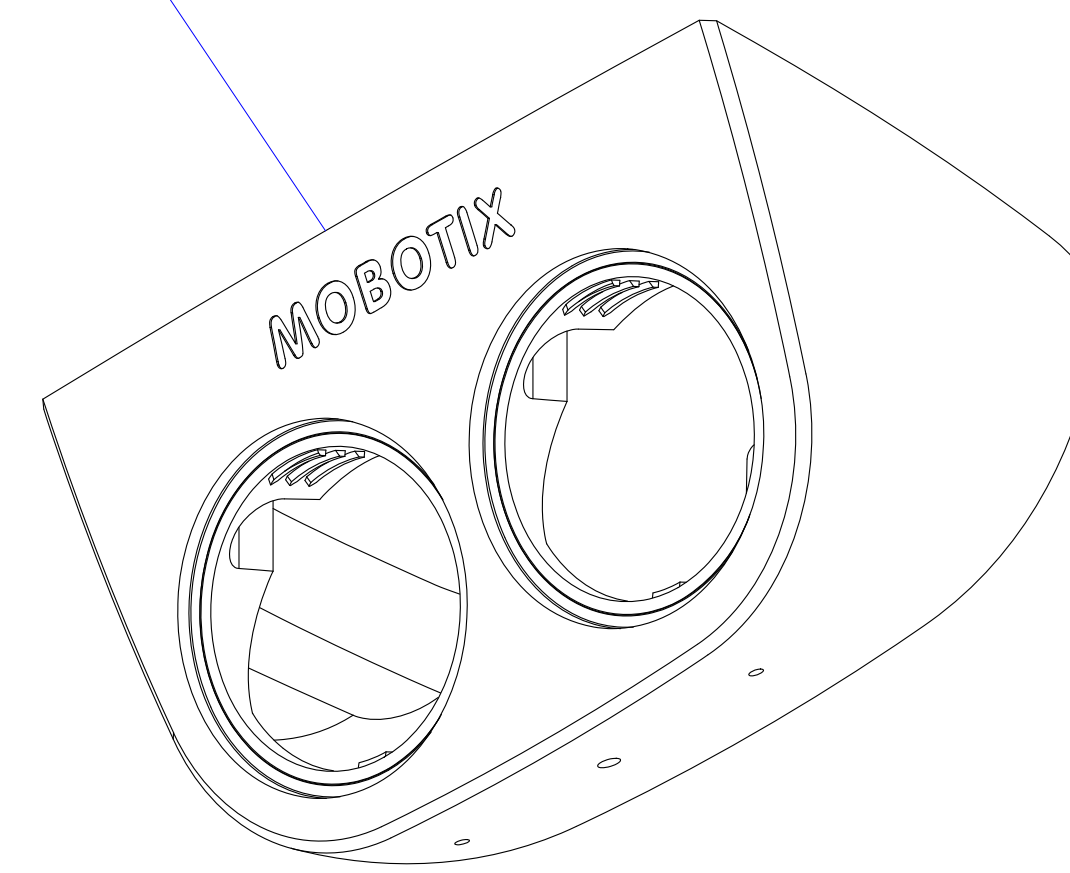
For internal use only. Technical specifications subject to change without notice. MOBOTIX does not assume responsibility for mistakes and recommends to verify measures and mechanical design with an actual product of the chosen MOBOTIX hardware. The reproduction, distribution and utilization of this document as well as the communication of its contents to others without express authorization is prohibited. Offenders will be held liable for the payment of damages. All rights reserved in the event of the grant of a patent, Utility model, design or trademark. No rights are transferred herewith.

All measures are in mm		Surface quality				Company		<p>MOBOTIX AG</p>	
						Product			
Drawn	Name	Signature	Date						
Tested	SBe		07.05.12						
Approved									
Production									
Quality						Material		Drawing	DIN A1
						Weight		Scale 1:1	Page 1/1

Bottom

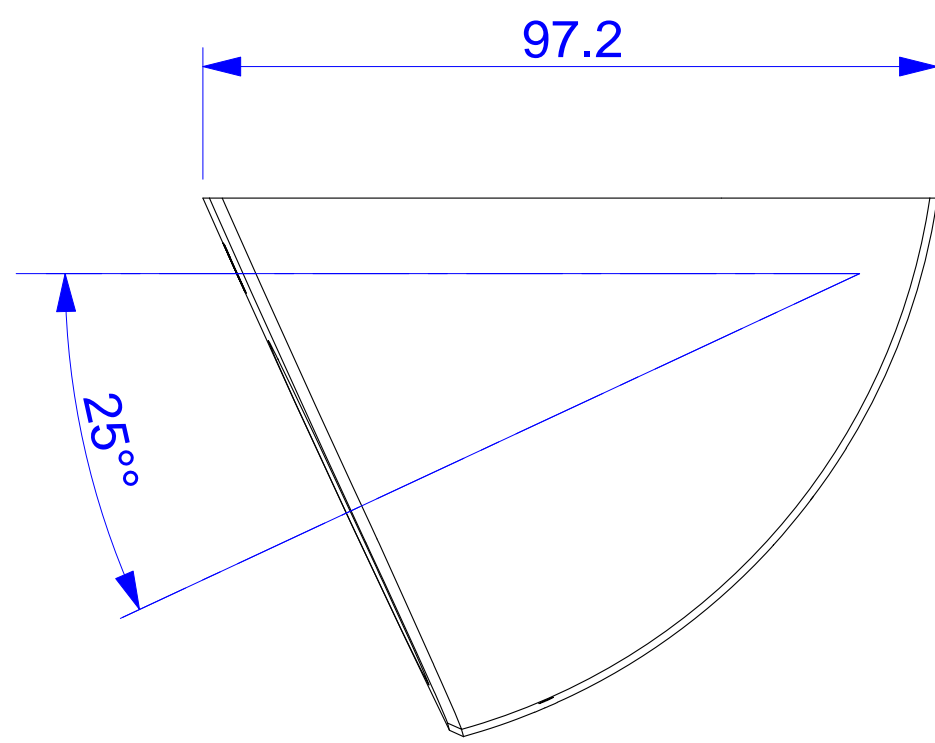


DualMount

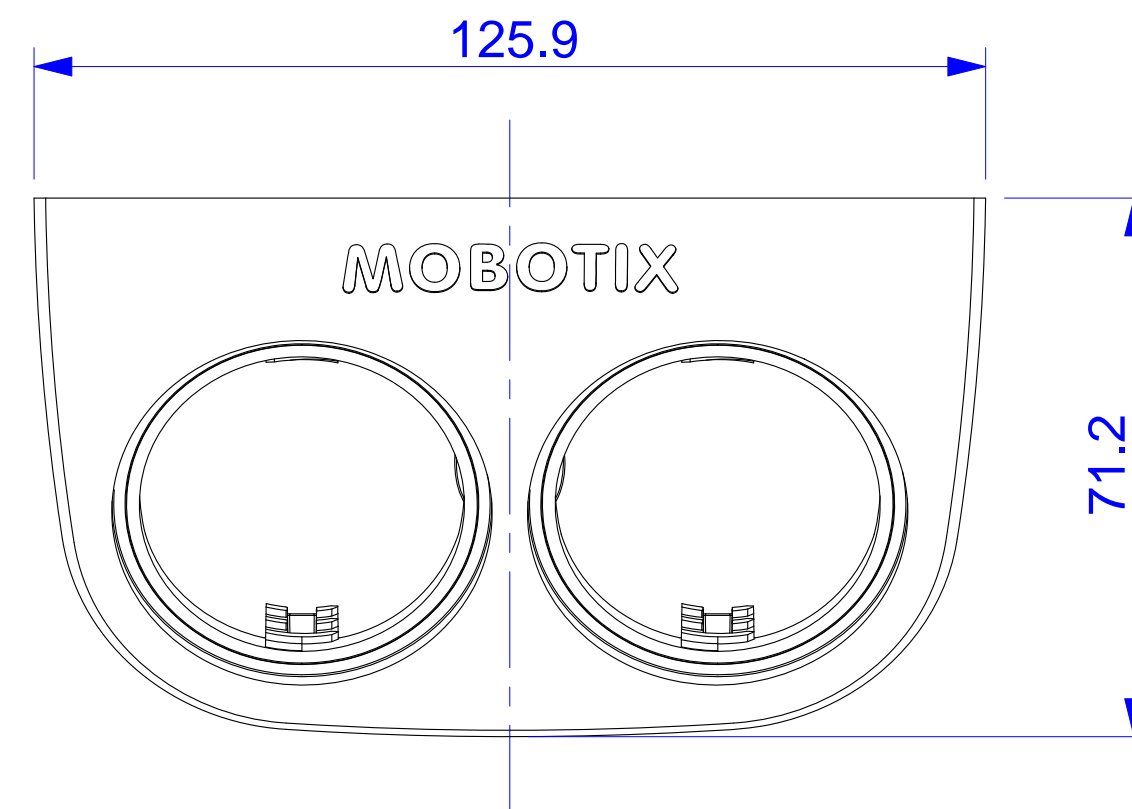


Space for Sensor Modules

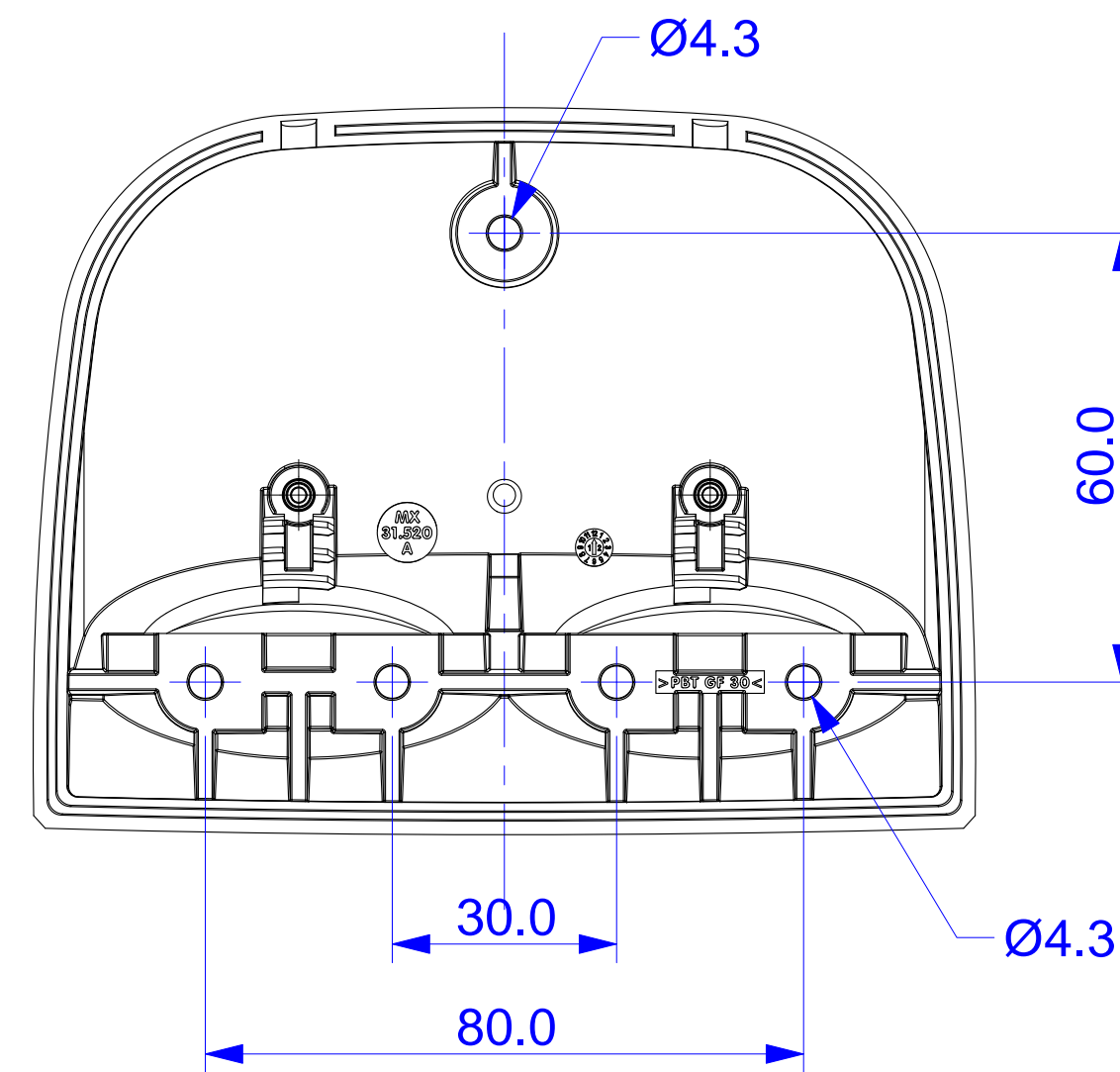
Front



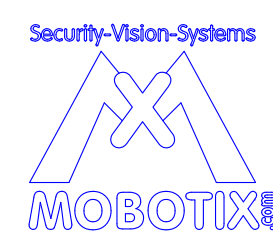
Side



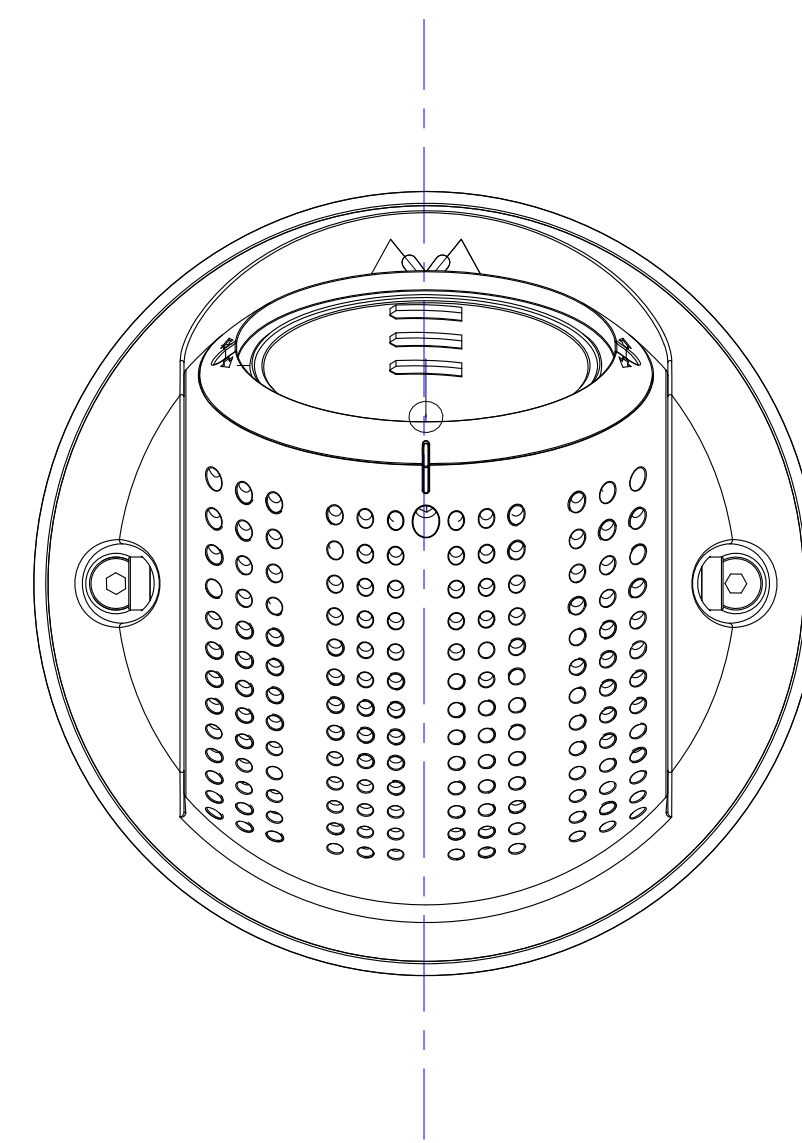
Top



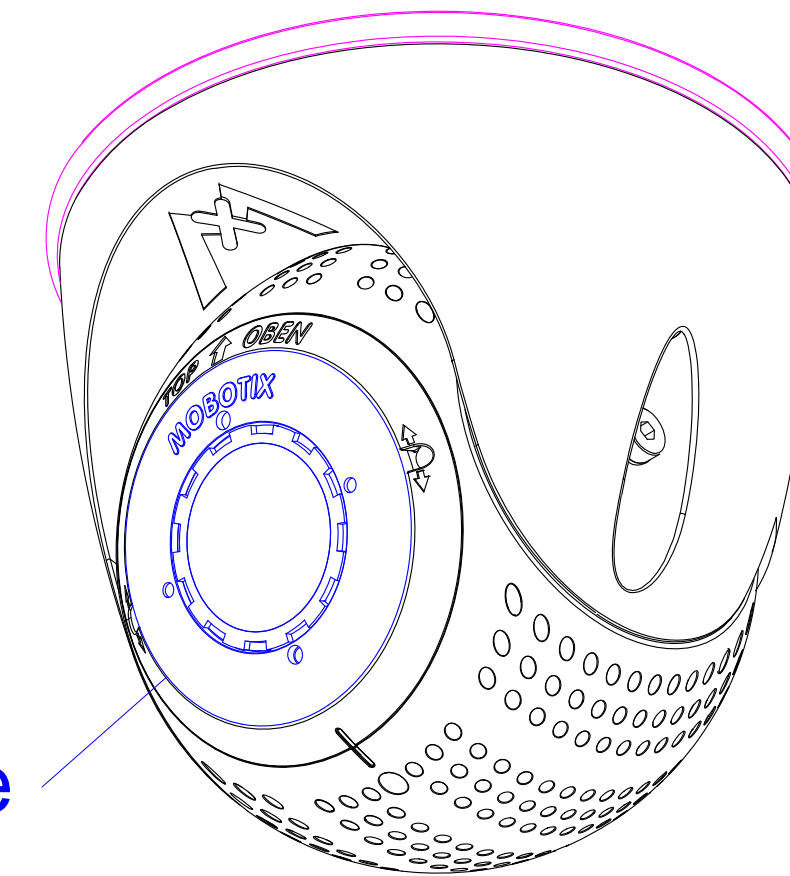
For internal use only. Technical specifications subject to change without notice. MOBOTIX does not assume responsibility for mistakes and recommends to verify measures and mechanical design with an actual product of the chosen MOBOTIX hardware. The reproduction, distribution and utilization of this document as well as the communication of its contents to others without express authorization is prohibited. Offenders will be held liable for the payment of damages. All rights reserved in the event of the grant of a patent, Utility model, design or trademark. No rights are transferred herewith.

All measures are in mm		Surface quality				Company		<p style="text-align: center;">MOBOTIX AG</p>	
						Product			
Drawn	Name	Signature	Date						
Tested	SBe		07.05.12						
Approved									
Production									
Quality						Material		Drawing	DIN A1
						Weight		Scale 1:1	Page 1/1

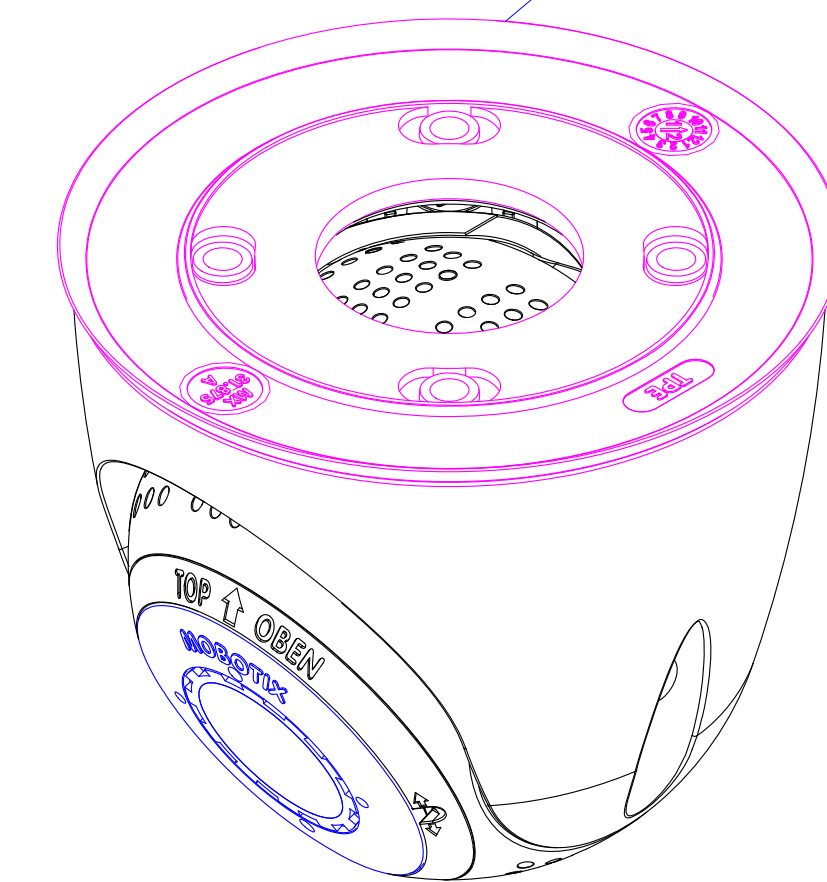
Bottom



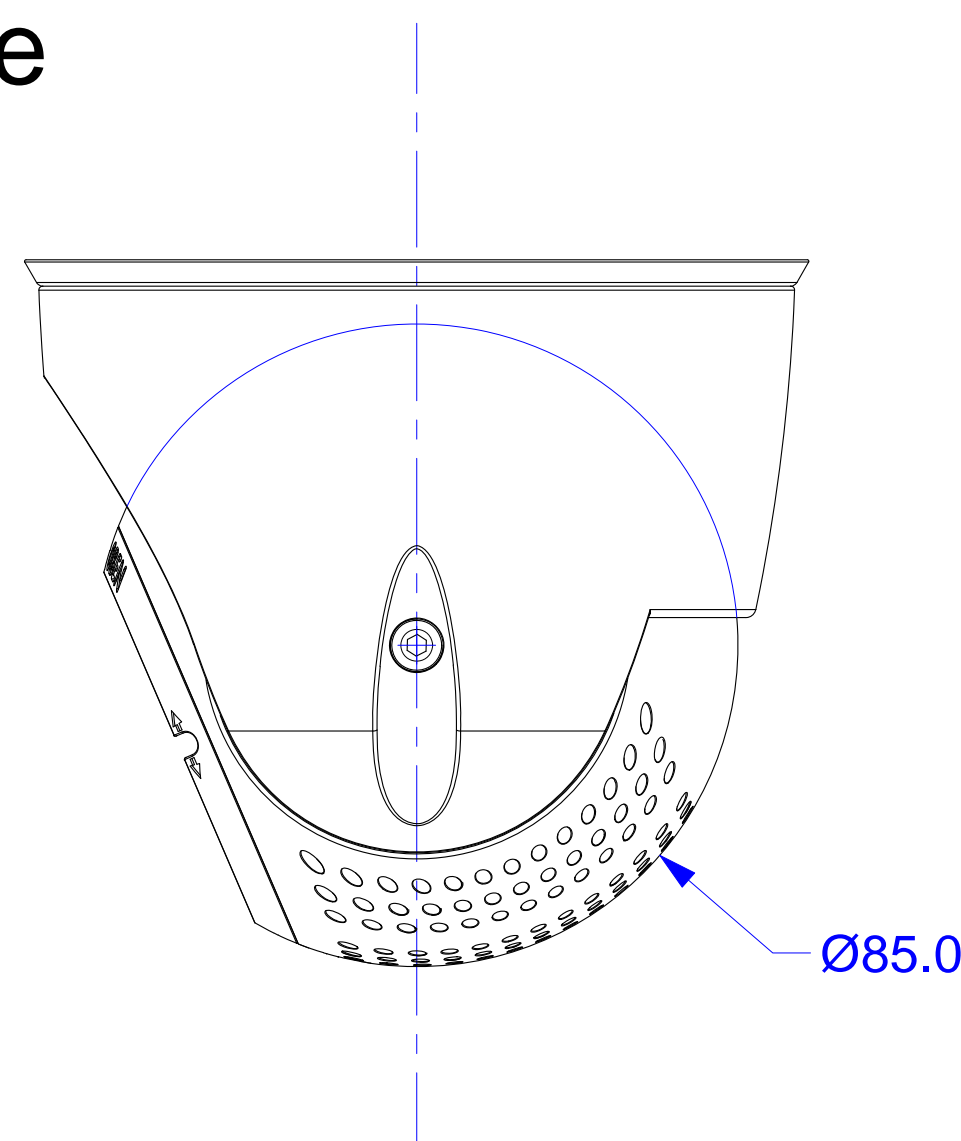
Sensor Module (optional)



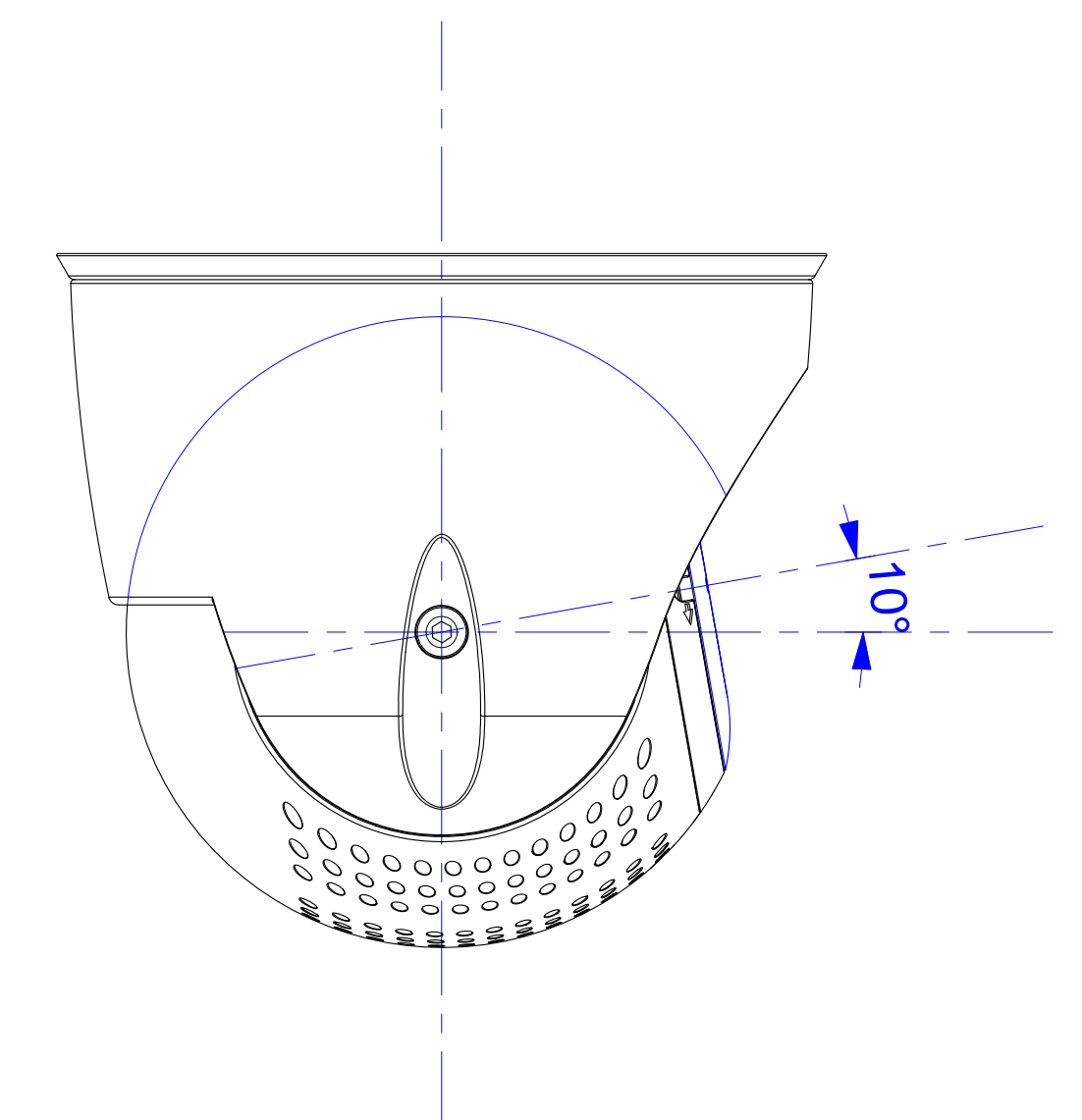
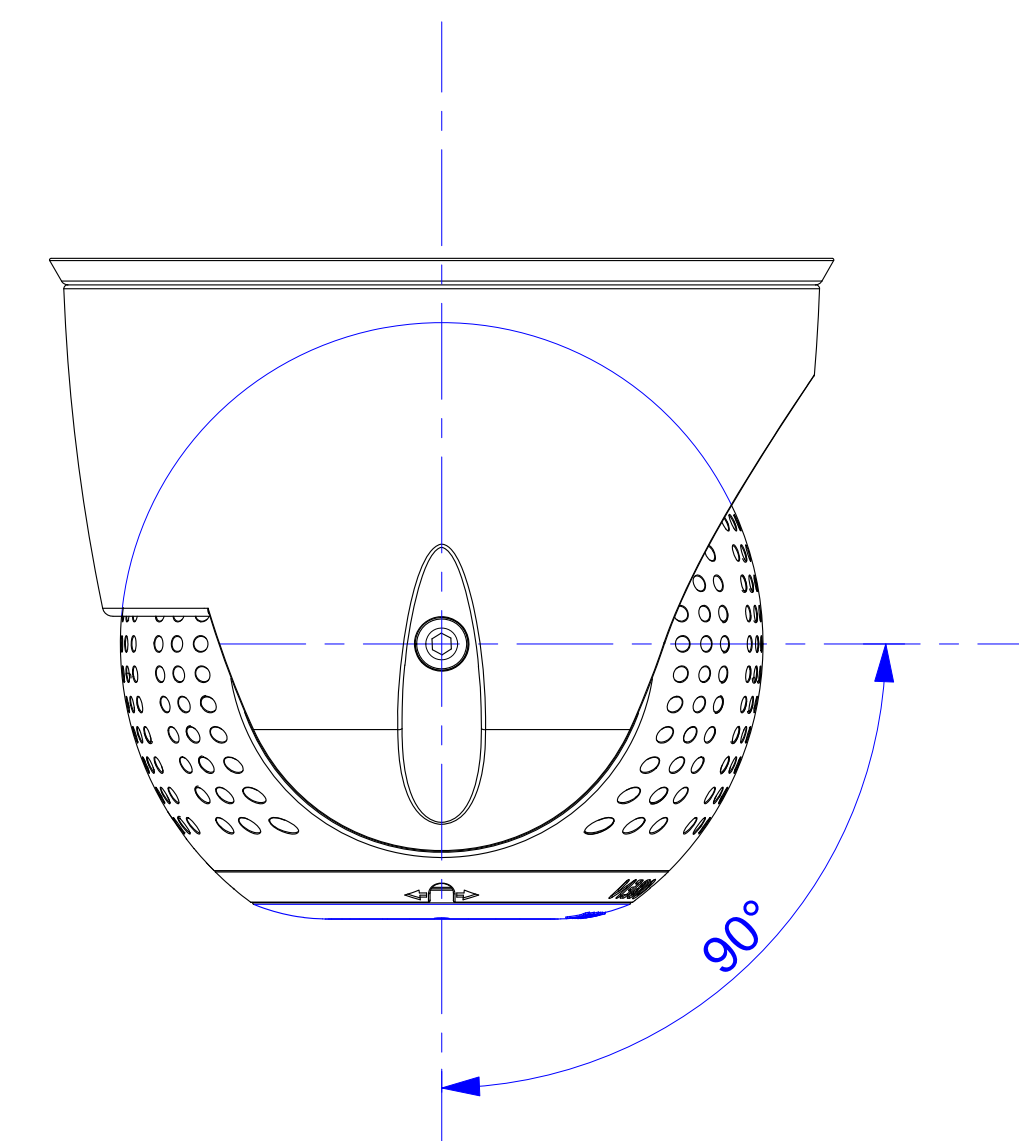
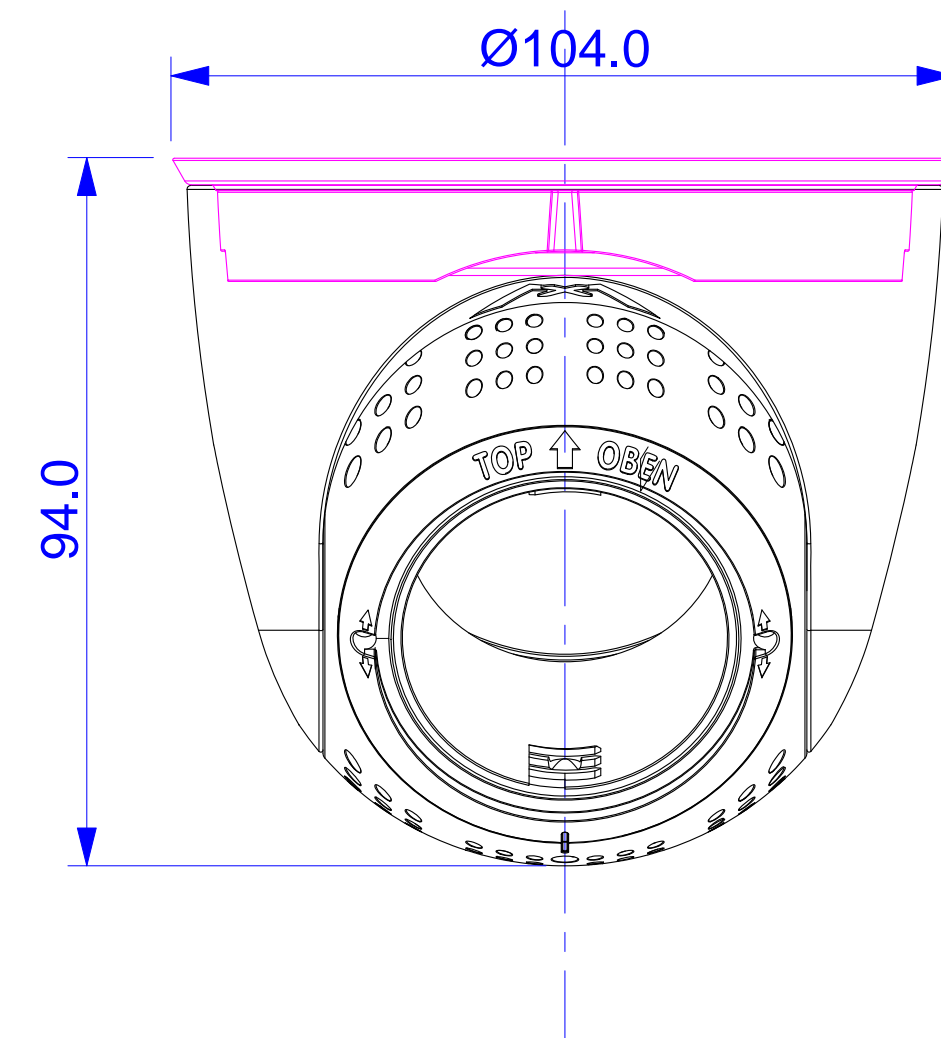
Mounting Plate



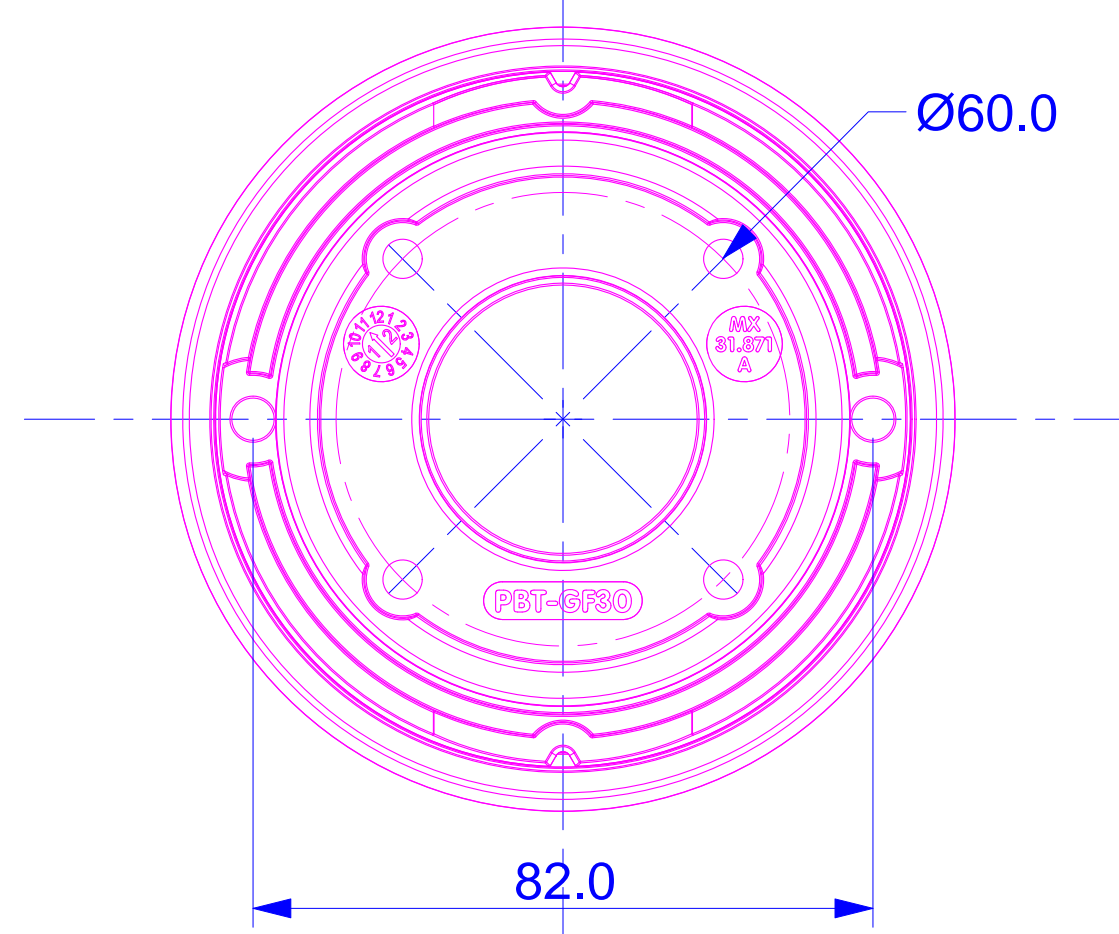
Side



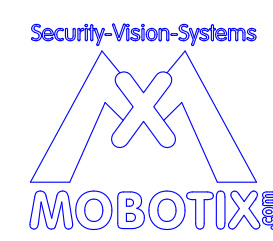
Front



Top (Mounting Plate)



For internal use only. Technical specifications subject to change without notice. MOBOTIX does not assume responsibility for mistakes and recommends to verify measures and mechanical design with an actual product of the chosen MOBOTIX hardware. The reproduction, distribution and utilization of this document as well as the communication of its contents to others without express authorization is prohibited. Offenders will be held liable for the payment of damages. All rights reserved in the event of the grant of a patent, Utility model, design or trademark. No rights are transferred herewith.

All measures are in mm		Surface quality				Company		<p style="text-align: center;">MOBOTIX AG</p>	
						Product			
Drawn	Name	Signature	Date						
	SBe		07.05.12						
Tested									
Approved									
Production									
Quality						Material		Drawing	DIN A1
						Weight		Scale 1:1	Page 1/1