

SMS-ZNVC Zone Volume Control

smartSMS-NET Sound Masking System
User Guide



V20190704

Soft dB Inc.
1040, Belvedere Avenue, Suite 215
Quebec (Quebec) Canada G1S 3G3
Toll free: 1-866-686-0993 (USA and Canada)
E-mail: info@softdb.com

Soft dB
WWW.SOFTDB.COM

Content

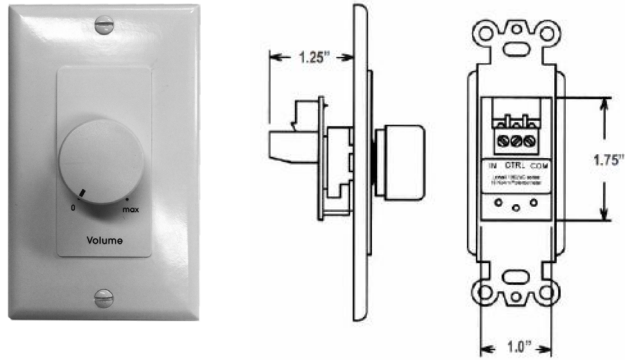
1	Overview	2
2	Specifications	3
3	Installation.....	4
3.1	Safety Instructions	4
3.2	Installation Procedure	5

1 Overview

The SMS-ZN-VC zone volume control knob can be connected to the smartSMS-NET controllers to control the sound masking volume and/or music and paging volume for specific zones or group of zones.

2 Specifications

Specifications	
Wall Plate	Decora, 1-gang
Colors	White, Black, or Almond
Connector	Screw-on
Recommended Wiring	22AWG-2 Shielded



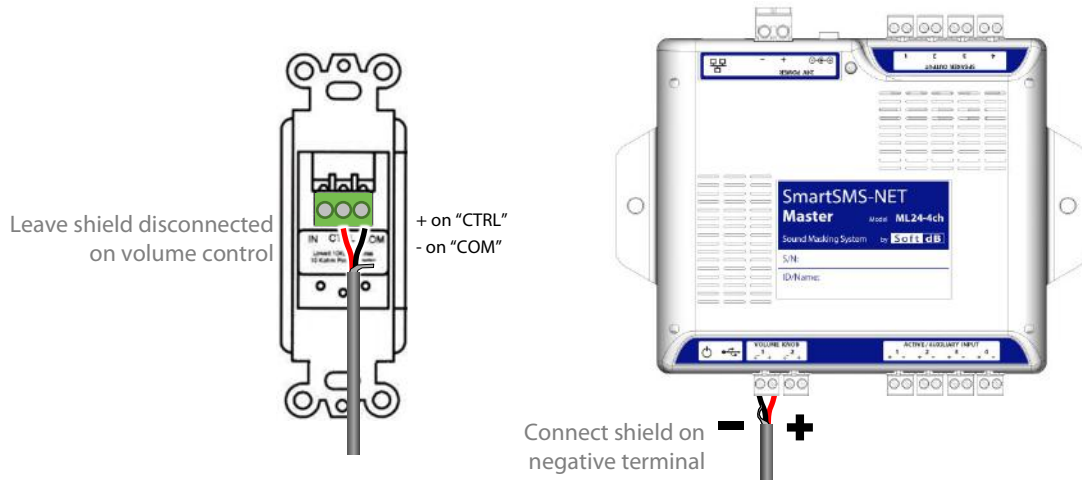
3 Installation

3.1 Safety Instructions

- Read and keep these instructions.
- Heed all warnings and follow all instructions contained within this manual.
- Install in accordance with the manufacturer's instructions.
- Clean only with dry cloth.
- Do not install near water.
- Do not block any ventilation openings.
- Do not install near any heat sources such as radiators, heat registers, stoves, or other apparatus (including amplifiers) that produce heat.
- Use the power cord with sealed mains plug appropriate for your local main supply as provided with the equipment. If the provided plug does not fit into you outlet contact the manufacturer.
- Protect the power cord from being walked on or pinched particularly at plugs, convenience receptacles, and the point where they exit from the apparatus.
- Only use attachments and accessories specified by the manufacturer.
- Refer all servicing to qualified service personnel. Servicing is required when the apparatus has been damaged in any way, such as when the power-supply cord or plug is damaged, liquid has been spilled or objects have fallen into the apparatus, the apparatus has been exposed to rain or moisture, does not operate normally, or has been dropped.
- Operate the product only with the voltage specified on the unit. Fire and/or electric shock may result if a higher voltage is used.
- Do not modify, kink, or cut the power cord. Do not place the power cord in close proximity to heaters and do not place heavy objects on the power cord and/or the product itself, doing so may result in fire or electrical shock.
- Be sure the installation of this product is stable, avoid slanted surfaces as the product may fall and cause injury, property damage, electrocution and/or fire.
- Do not open the cover.

3.2 Installation Procedure

Use 22 AWG shielded cable to connect the volume controls. Connect the "CTRL" connector to the red wire and the "COM" connector to the black wire. Connect the red wire to the "+" connector on the controller and the black wire on the "-" connector. Connect the shield on the "-" connector on the smartSMS-NET controller side and leave it disconnected on the volume control side.



Note: When a long cable is used, it's recommended to run the cable separate from the speaker lines. A minimal distance on 12 inches between the speaker wires and the volume control cable is recommended.