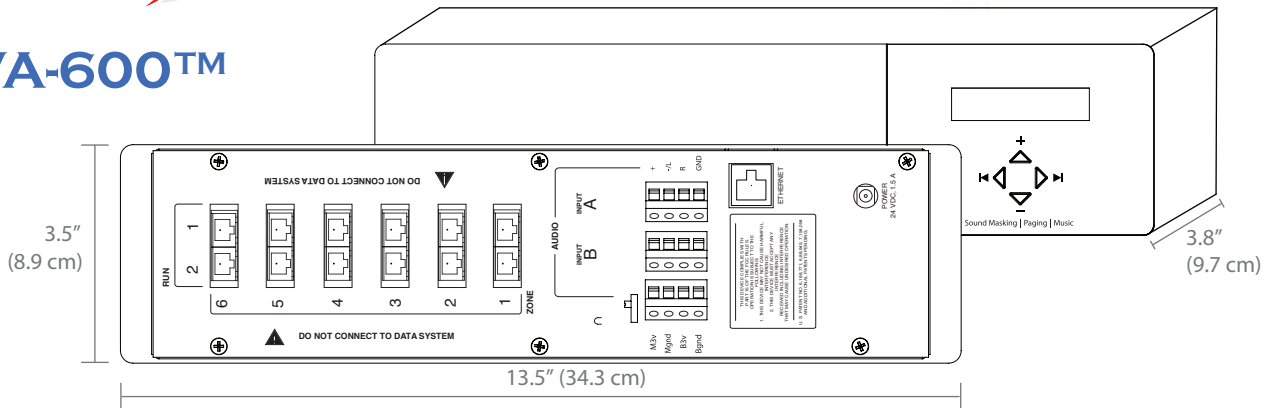


VA-600™



APPLICATION

VA-600 is a sound masking generator, controller, third octave band equalizer and amplifier, with two aux audio inputs to allow for distribution of audio from paging controllers and/or (background) music players. The VA-600 control module is a compact six-zone networkable controller suitable for installations of up to 72,000 ft² (6,689 m²). Each zone can be independently adjusted for masking and aux audio levels and spectra. Levels can be adjusted from the unit's front panel or from a remote desktop leveraging the unit's network connectivity and browser-based GUI.

HOW TO SPECIFY

Module	Mounting Options
VA-600	WM (Wall Mount)
	RM (Rack Mount)

HRC*	Color	Cable Lengths May be Specified
HRC	G (Green)	50 ft. (15.2m)
	B (Black)	100 ft. (30.5 m)
		Custom (make to order)



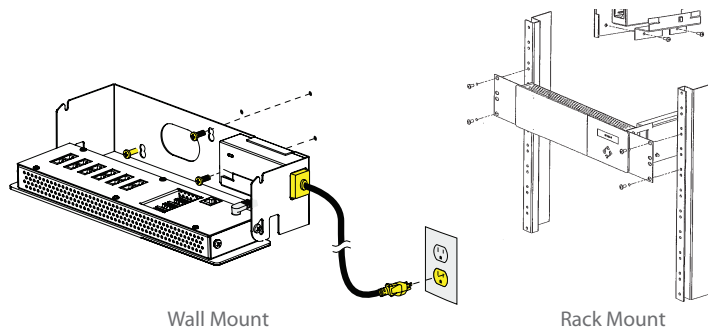
*HRC = Home Run Cable: the cable from the control module to the first emitter of a run; longer than on the 16' (4.9 m) emitter to emitter cable.

WALL MOUNT INSTALLATION

Wall mount bracket comes standard with the control module. When wall mounted, the chassis flips for easy access to all rear input connections.

RACK MOUNT INSTALLATION

The rack mount kit permits mounting of the control module onto an industry standard 19" (48.3 cm) EIA or NEMA equipment rack.





TECHNICAL SPECIFICATIONS

STANDARDS AND CERTIFICATIONS

Dimensions: W x H x D	13.5" x 3.5" x 3.8" (34.3 cm x 8.9 cm x 9.7 cm)	ASTM E1130-08	✓
Weight	3.0 lbs (1.4 kg)	RoHS Compliant	✓
Operating Temperature Range	40°F - 90°F (4°C-32°C)	FCC Part 15 Compliant	✓
Power Requirements	100-240 VAC, 24 watts	CE	✓
Zones	6	GreenSpecListed	✓
Emitter Run Connector Type	RJ-45 (Bent 3-tyne)	Safety	Conforms to: - US STD 60065 - CAN/CSA STD - C22 2 60065 - ETL Listed
Aux. Audio Inputs	2 fixed terminal blocks		
Aux. Audio Input Level	-10 dBV Nominal, 2 Vrms max		
Aux. Input Equalization	Adjustable +/- 12 dB in ISO standard octave bands		
Emitter Capacity	60 per run, 120 per zone, 720 total		
Max. Coverage Area (10' Ceiling)	72,000 ft ² (6,689 m ²)		
Masking Spectrum	Preset at factory to VoiceArrest standard spectrum (recommended)		
Masking Spectrum Equalization	Adjustable +/- 12 dB in ISO standard 1/3 octave bands		
Masking Channels	4 per zone		
Time of Day Masking Level Control	RTC with battery backup. Per-zone day/night levels and start times, ramping interval, and weekday/Sat/Sun behavior		
Network Access for Control & Monitoring	Yes		
Security	Software-based front panel lock; fixed terminal block contact closure		

CABLE SPECIFICATIONS

Cables are plenum-rated; solid conductor 24AWG CAT-3, pre-terminated with bent 3-tyne (prong) contacts straddling each conductor in RJ-45 connectors. Cables are straight through and terminated in T568B wiring scheme. Cables are tested for continuity.

ARCHITECTURAL SPECIFICATIONS

The controller shall consist of all electronics required for operating a sound masking system from a single accessible location. Systems with distributed electronic packages above ceilings are not acceptable. The controller shall permit password protected access for control and monitoring via LAN/Browser interface. The controller shall provide six zones and shall be sufficient to generate sound masking, audio control and audio power for up to 72,000 ft² (6,689 m²) of coverage. The unit shall be capable of time-of-day masking level control; per-zone settings shall be available for day/night levels and start times, ramping interval, and weekday/Sat/Sun behavior. Each audio output shall provide four incoherent channels of masking noise to minimize phase interference and hotspots. The complete system shall consume less than 24 watts of power. The unit shall meet all requirements of Underwriters Laboratories, the US and Canadian National Electrical Codes, FCC Part 15, and all pertinent UK and EU codes.