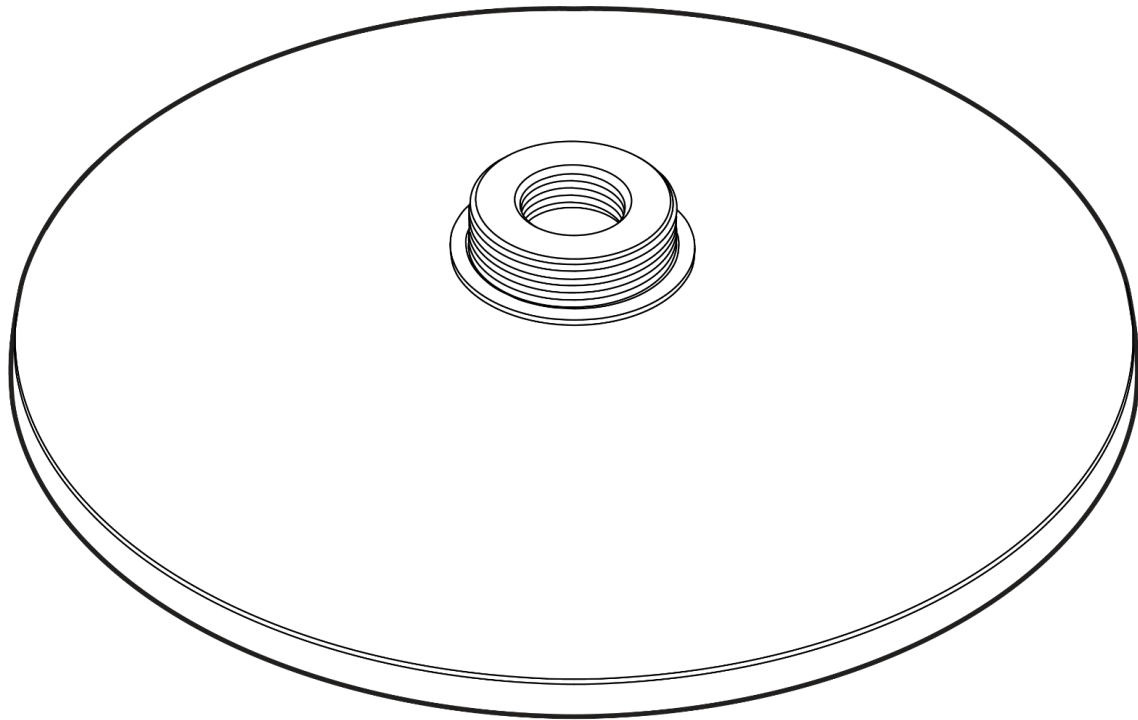


# **ACC-MNT-HPEND-1**

## Four-Camera Multisensor Pendant Cap



Document

## Document Details

### Version

**VI.1** 20260311

*(VI.0 published 20251030)*

### Firmware

Firmware version can be verified on Verkada Command  
command.verkada.com.

### Product Models

This install guide pertains to model ACC-MNT-HPEND-1.

© Copyright 2025 Verkada Inc. All rights reserved.

Verkada and the Verkada logo are registered trademarks or service marks of Verkada Inc. (“Verkada”). All other trademarks are the property of their respective owners.

Verkada may make changes to this document at any time without notice. The information presented herein may be inaccurate or outdated, and Verkada is under no obligation to maintain it. ALL INFORMATION IS PROVIDED “AS-IS” AND WITHOUT ANY WARRANTIES, IMPLIED, EXPRESS, OR OTHERWISE. VERKADA DISCLAIMS LIABILITY FOR ALL DAMAGES, INCLUDING WITHOUT LIMITATION ANY DIRECT, INDIRECT, SPECIAL, INCIDENTAL, PUNITIVE, OR CONSEQUENTIAL DAMAGES, ARISING OUT OF USE OF THIS DOCUMENT.

Any intellectual property rights relating to Verkada products are and shall remain Verkada’s exclusive property. Use of any Verkada product is subject to Verkada’s end user agreement or other executed agreement with Verkada. No license, either expressed or implied, to use or distribute any Verkada product is granted under this document.

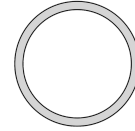
This document may not be sold, resold, licensed or sublicensed and may not be transferred without Verkada’s prior written consent. No part of this document may be reproduced in whole or in part without the express written consent of Verkada.



## What's in the Box



**Pendant Cap**



**Rubber O-Ring**  
Diameter: 56mm



**M4x0.70 Machine Screw (4 pcs)**  
Length: 8mm Drive: T10 Torx

## What you'll need

- Compatible Verkada Product with its hardware
- A Cat5 or Cat6 Ethernet cable with a 0.2-0.25 inch diameter (5-6.5mm)
- Hex Key (3mm)

## Preparation

### Mounting Options

The Pendant Cap can be mounted with two different scenarios. The following pages outline both installation options.

Use the Arm Mount configuration for a lower profile installation where the cable is sitting inside the wall.

Use the Conduit Drop Pipe mounting configuration when installation conditions prohibits the cables from sitting inside the wall.

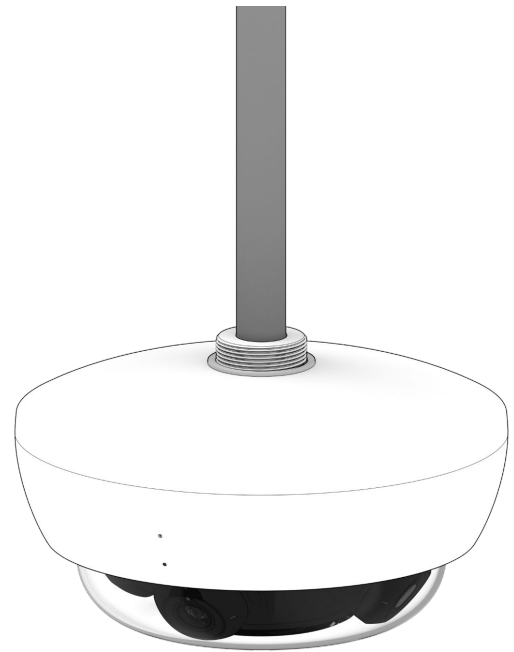
#### Arm Mount Mounting

*Reference Mounting to an Arm Mount section*



#### Conduit Drop Pipe Mounting

*Reference Mounting to a 3/4" Conduit Drop Pipe section*



## Installation

### Camera Preparation 1/3

**Note:** To ensure the clear bubble is not damaged, keep the protective film on the camera until the installation is completed.

Unscrew the four T10 Torx security screws on the top cover.



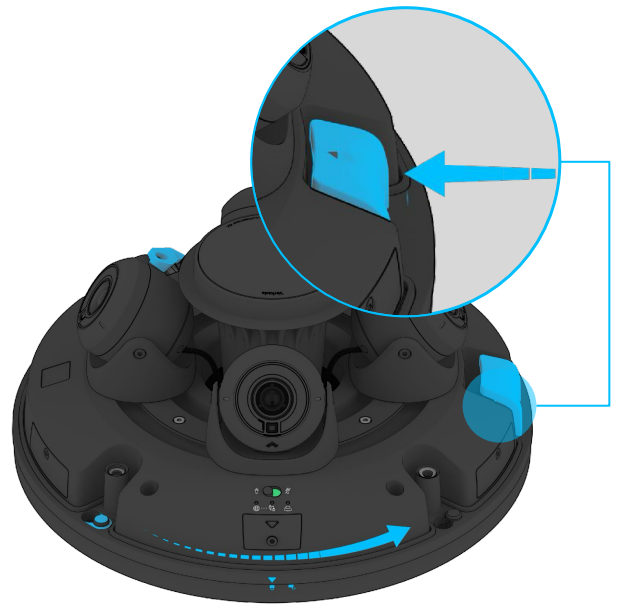
Lift the top cover and set it aside. Be careful to not scratch the clear bubble.



## Installation

### Camera Preparation 2/3

Rotate the camera counter-clockwise while the release button is pressed to disconnect it from the Mount Plate.



Lift the camera off of the Mount Plate.

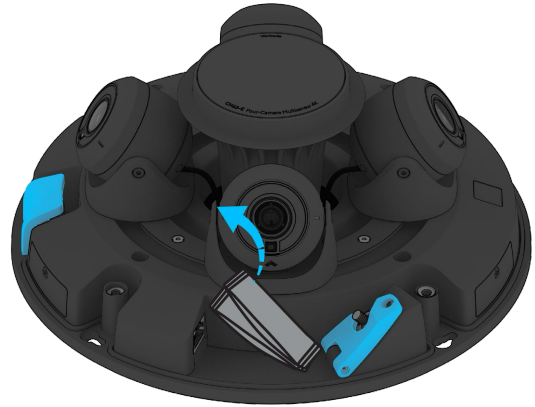
**Note:** You will need the Mount Plate for this installation.



## Installation

### Camera Preparation 3/3

Remove and discard both desiccants adhered to the camera base.



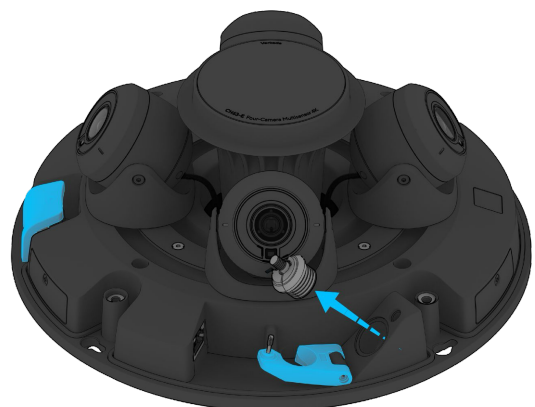
Loosen the screw on the cable latch, using the T10 Torx Security Screwdriver.

Open the cable latch.



Remove the cable gland and set it aside.

Set the camera aside.



## Installation

### Mounting to an Arm Mount 1/4

**Compatible Arm Mounts:** ACC-MNT-ARM-1 and ACC-MNT-XLARM-1.

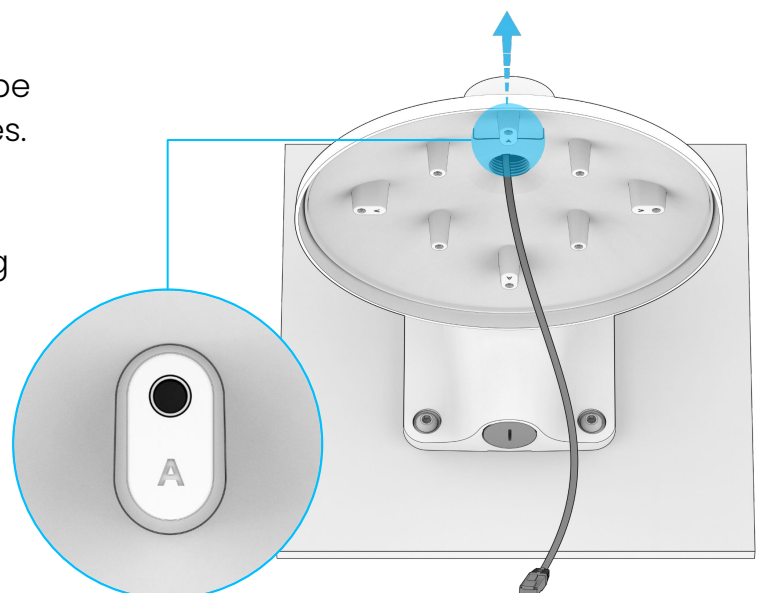
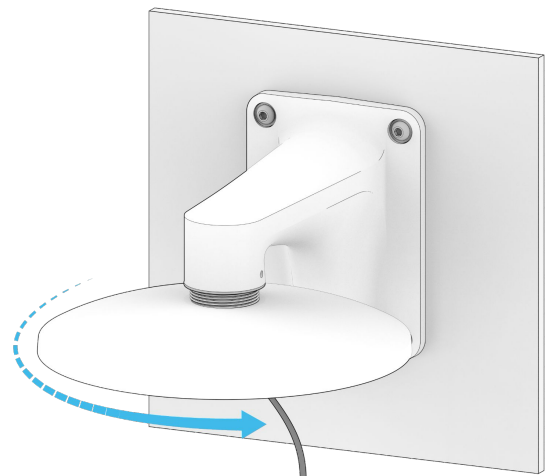
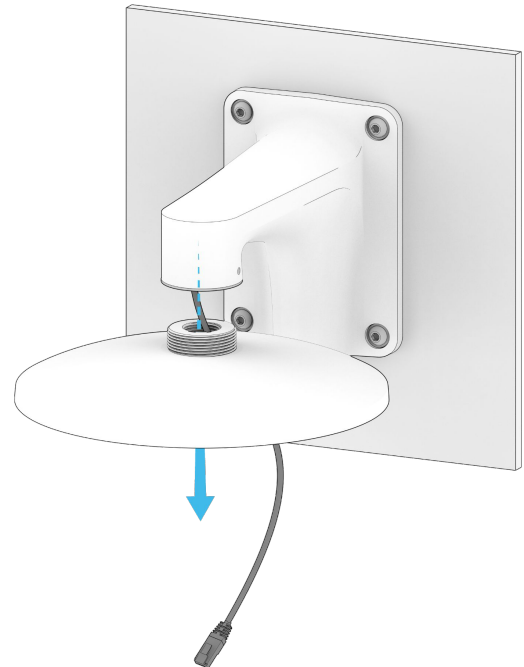
Pull the Ethernet cable through the Arm Mount and the Pendant Cap.

Make sure that the set screw on the arm mount does not protrude inside the thread.

Using the external 1 1/2" NPT threads, screw the Pendant Cap onto the Arm Mount.

The LED and Mic of the Multisensor can be aligned with **any** of the A mounting holes.

Before tightening the set screw of the pendant, position one of the A mounting holes to your desired orientation.

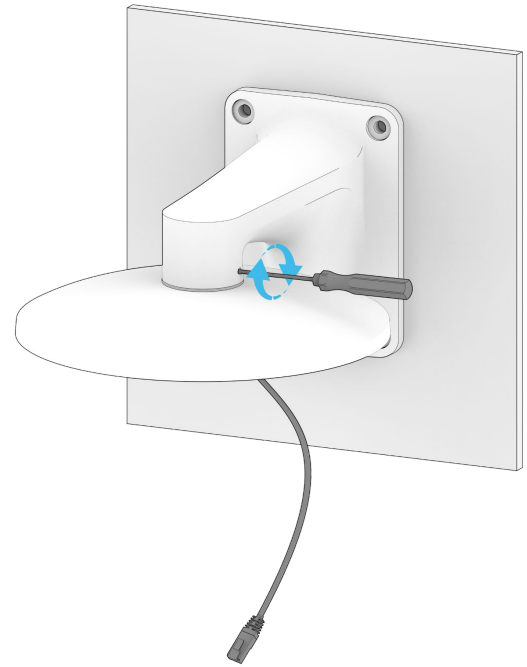


## Installation

### Mounting to an Arm Mount 1/3

Tighten the set screw of the Arm Mount, using the Hex Key.

**Do not overtighten the set screw, as it can deform the threads of the Pendant Cap.**

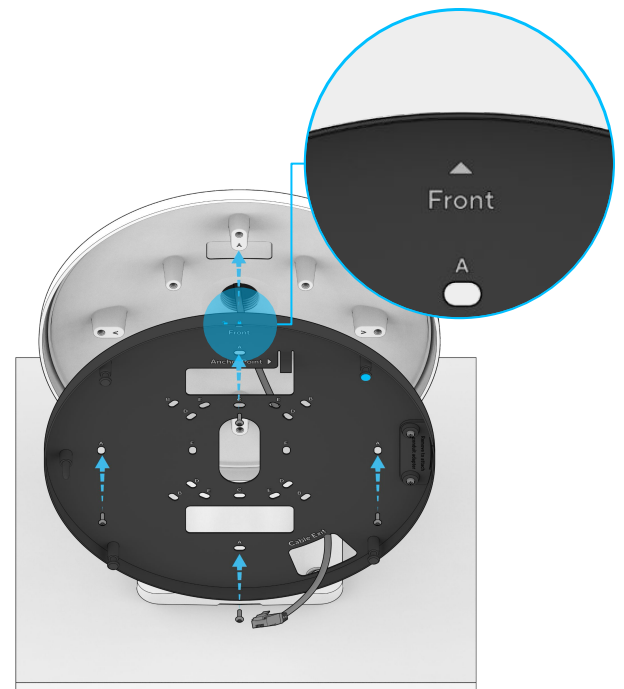


Retrieve the mount plate from the camera.

Position the mount plate so the “Front” marking is facing your desired direction. **This will be the direction of microphone and LED.**

Secure the mount plate to the pendant cap using Mount Pattern A.

Route cable through the cutout marked “Cable Exit”.



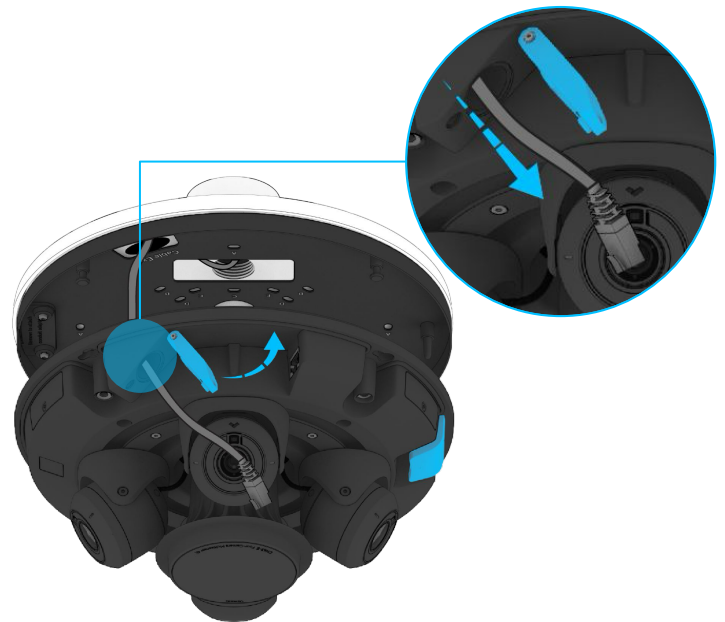
## Installation

### Mounting to an Arm Mount 2/3

Attach the security leash to the anchor point on the Mount Plate.



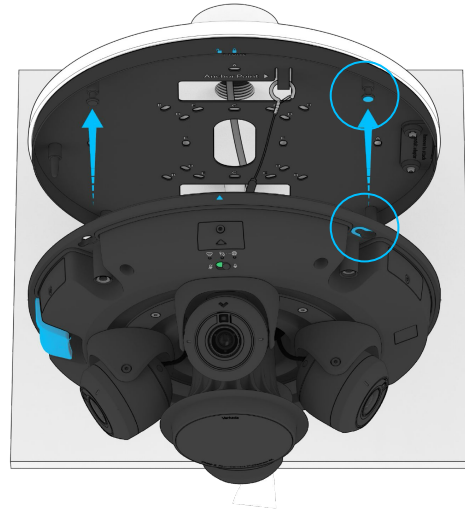
Open the latch and lead the Ethernet cable through.



## Installation

### Mounting to an Arm Mount 3/3

Align the blue hole on the camera to the blue t-post on the Mount Plate.

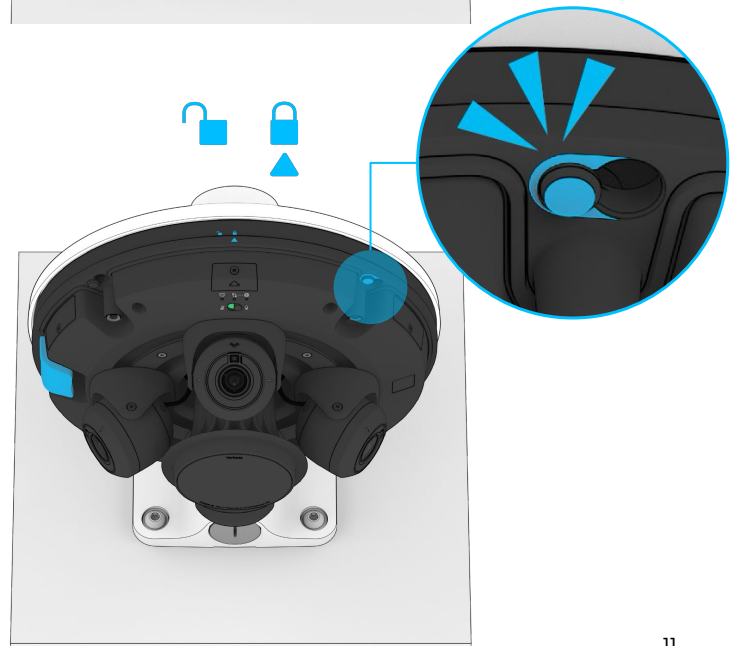


To secure the camera to the Mount Plate, rotate the camera clockwise.



The camera is secured when you hear a click and the blue arrow is pointing towards the locked position.

**Note:** For next steps, refer to the Mounting section in [CH53-E CH63-E Four-Camera Multisensor Install Guide](#).

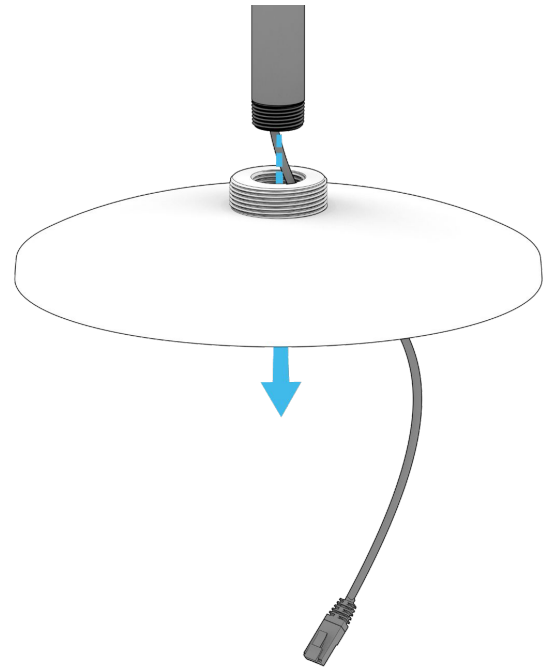


## Installation

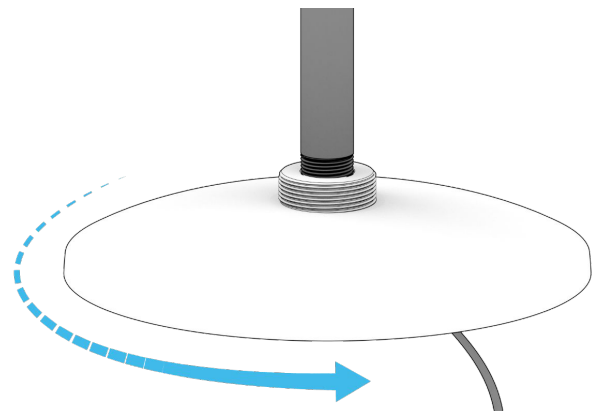
### Mounting to a 3/4" Conduit Drop Pipe 1/4

Pull the Ethernet cable through the conduit drop pipe and the Pendant Cap.

**Note:** You will not need the Rubber O-Ring when mounting to the conduit drop pipe.

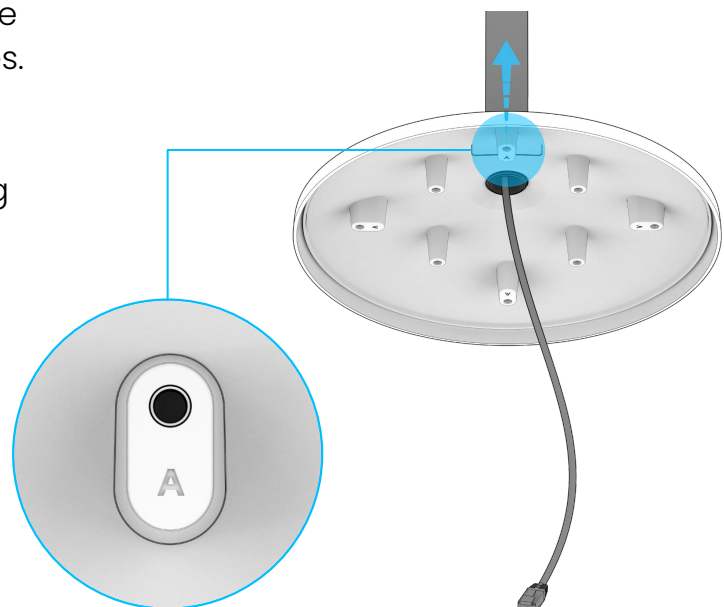


Screw the Pendant Cap onto the conduit drop pipe, using the internal 3/4" NPT threads.



The LED and Mic of the Multisensor will be aligned with any of the A mounting holes.

Before tightening the set screw of the pendant, position one of the A mounting holes to your desired orientation.

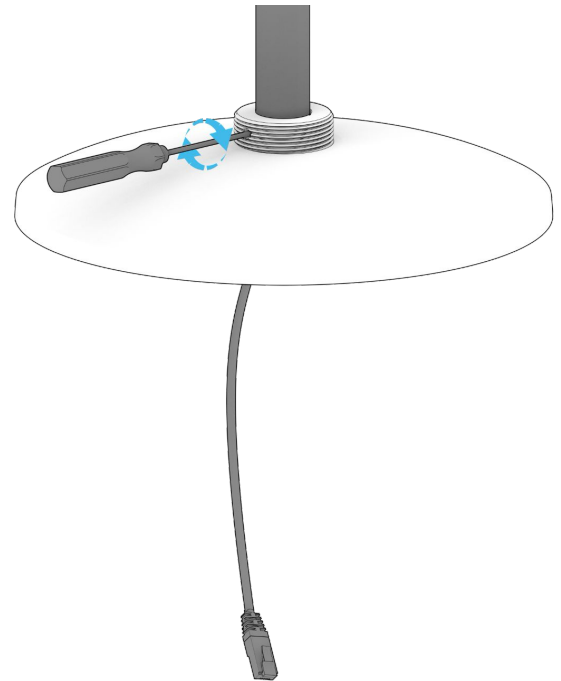


## Installation

### Mounting to a 3/4" Conduit Drop Pipe 1/4

Secure by tightening the set screw using a 3mm Hex Key.

**Do not overtighten the set screw, as it can deform the threads of the Pendant Cap.**

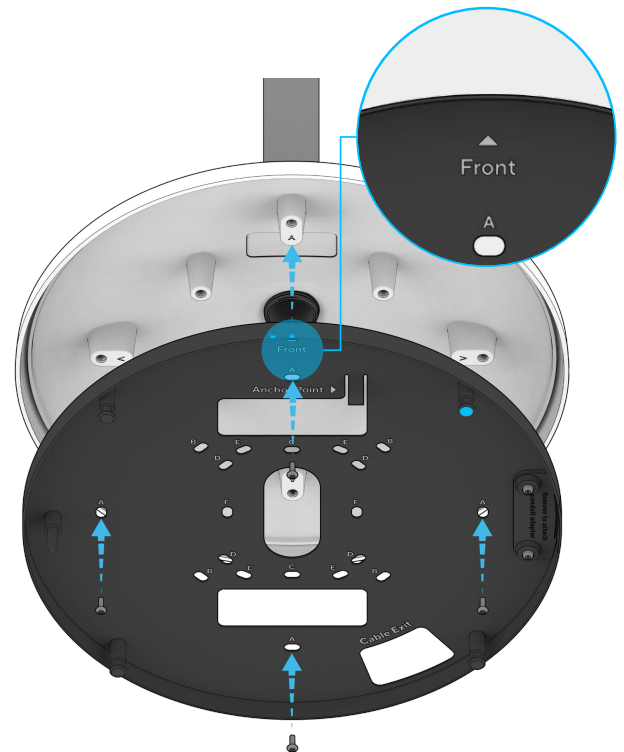


Retrieve the mount plate from the camera.

Position the mount plate so the "Front" marking is facing your desired direction. **This will be the direction of microphone and LED.**

Secure the mount plate to the pendant cap using Mount Pattern A.

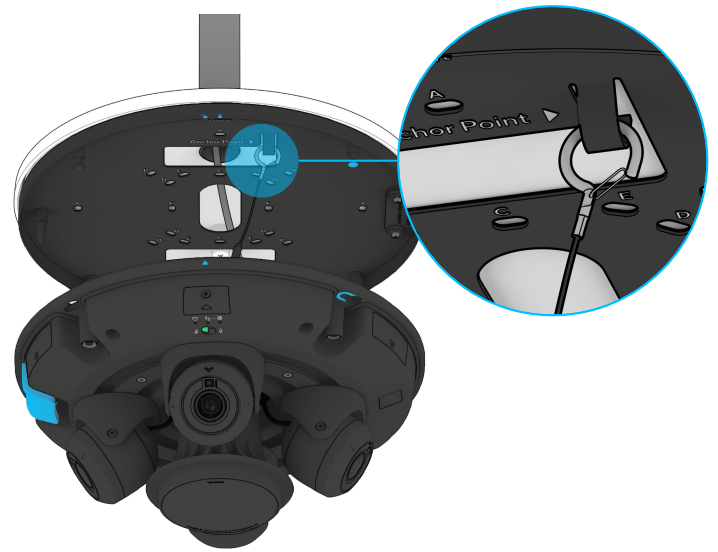
Route cable through the cutout marked "Cable Exit".



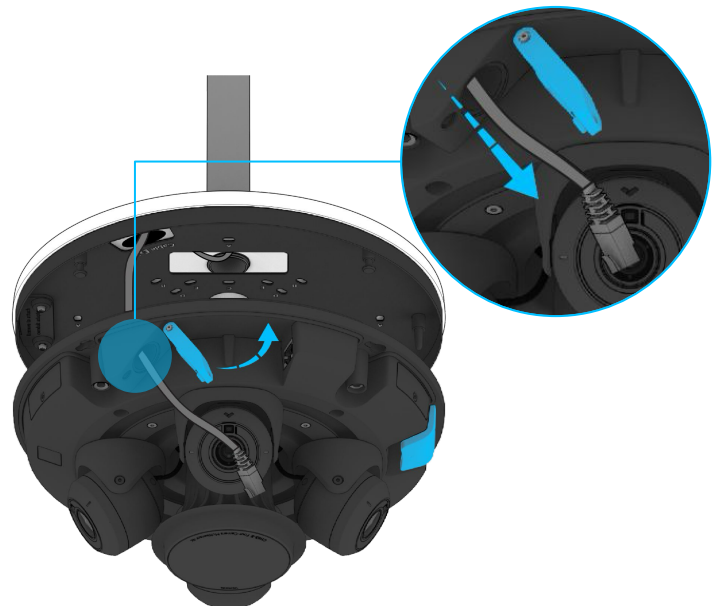
## Installation

### Mounting to a 3/4" Conduit Drop Pipe 3/4

Attach the security leash to the anchor point on the Mount Plate.



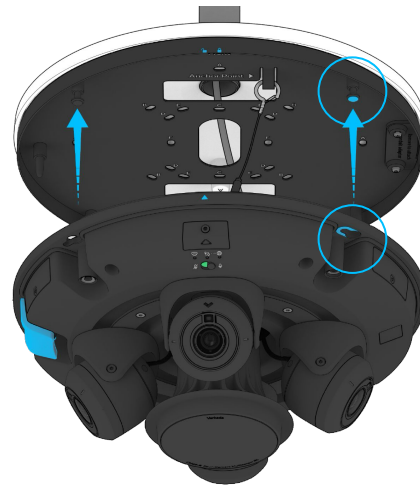
Open the latch and lead the Ethernet cable through.



## Installation

### Mounting to a 3/4" Conduit Drop Pipe 4/4

Align the blue hole on the camera to the blue t-post on the Mount Plate.

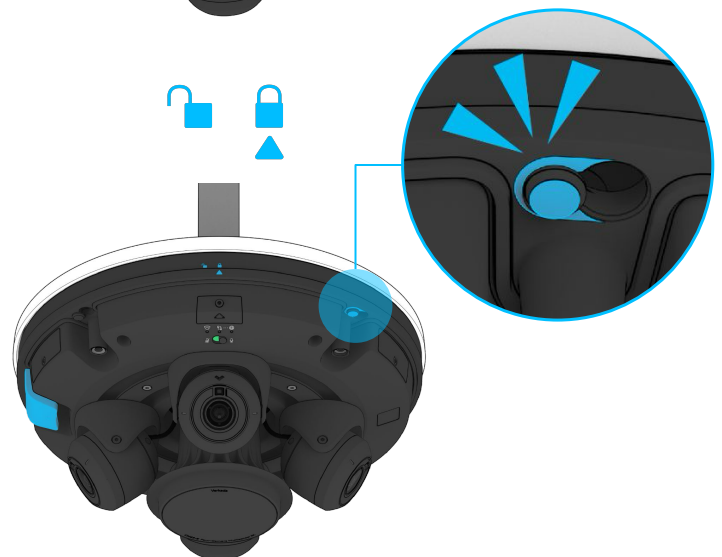


To secure the camera to the Mount Plate, rotate the camera clockwise.



The camera is secured when you hear a click and the blue arrow is pointing towards the locked position.

**Note:** For next steps, refer to the Mounting section in [CH53-E CH63-E Four-Camera Multisensor Install Guide](#).



Appendix

## Support

Thank you for purchasing this Verkada product. If for any reason you're experiencing issues or need assistance, please contact our 24/7 Technical Support Team immediately.

Sincerely,  
The Verkada Team  
[verkada.com/support](https://verkada.com/support)

