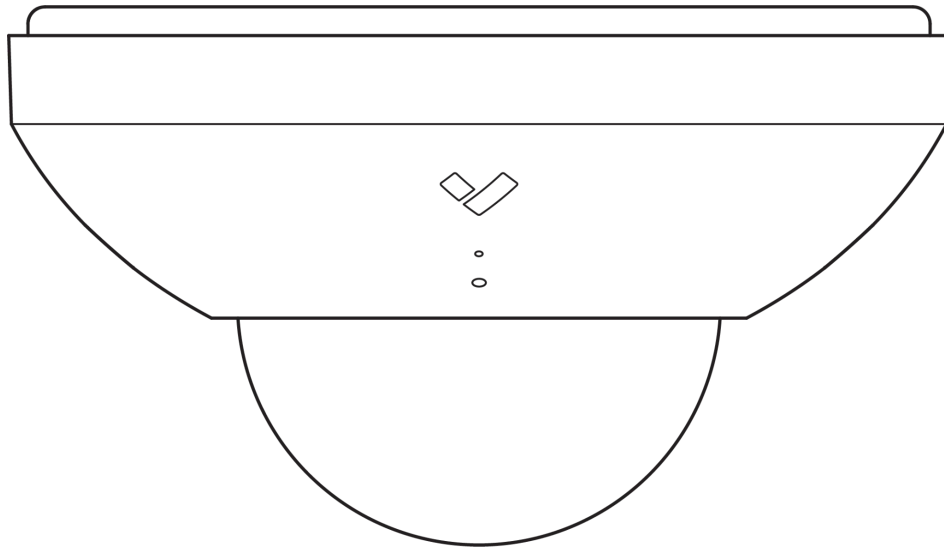


Install Guide

CM22 CM42 Mini Dome Camera



Document

Document Details

V1.5 (20251101)

(V1.0 first published 20230208)

Firmware

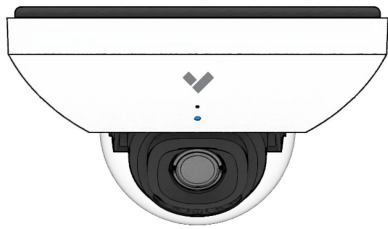
Firmware version can be verified on
Verkada Command command.verkada.com.

Product Models

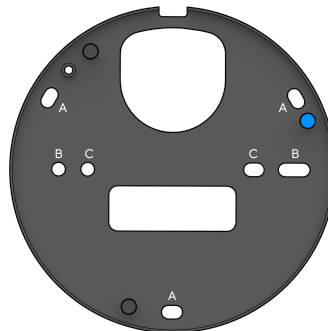
This install guide pertains to models CM22-HW, and
CM42-HW.



What's in the box



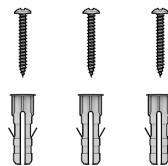
Mini Dome Camera



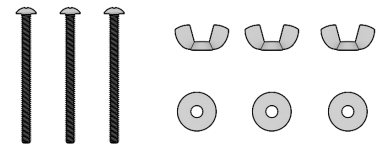
Mount plate
(Attached to camera)



T10 Security Torx Screwdriver



3 M4 x 25mm PH2 Wall
Screws and Wall Anchors



3 M4 x 50mm Machine Screws,
Wing Nuts, and Washers

What you'll need

- A working Internet connection
- 802.3af Power over Ethernet (PoE) switch, or a PoE injector
- A smartphone or laptop
- A #2 Phillips screwdriver or power drill with a #2 Phillips driver bit
- 1/4 inch (6.5mm) drill bit for wall anchors
- 1/8 inch (3mm) drill bit for pilot holes
- A Cat5 or Cat6 Ethernet cable with a 0.2–0.25 inch diameter (5–6.5mm)

Connect

For easy registration and setup, scan the QR code on the product.

If you prefer to manually register your product, please proceed to: verkada.com/start

Placement

Mount the camera on a wall or ceiling. Try to keep the camera 8 to 10 feet above the ground.

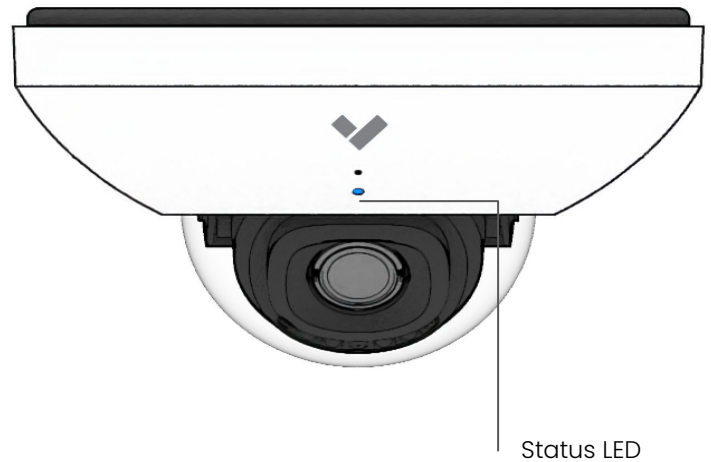
For best night vision, avoid overhangs or obstructions. These may reflect the camera's IR illumination and reduce the image clarity in night mode.



LED Behaviors

Regular operation

- **Solid Orange**
Camera is on and booting up.
- ☀️ **Flashing Orange**
Camera is updating firmware.
- **Solid Blue**
Camera is running, connected, and recording data.
- ☀️ **Flashing Blue**
Generic network error. Contact support.



Network errors

The LED will flash in a specific order, depending on the error state. You will see 1 blue flash, followed by a number of orange flashes.

1 Blue, 1 Orange

Camera is connected with PoE, but unable to connect to the Switch.

1 Blue, 2 Orange

Camera has not received an IP address.

1 Blue, 3 Orange

Camera is not able reach the configured Gateway.

1 Blue, 4 Orange

Camera has detected duplicate IP addresses on the LAN.



Example of **1 Blue, 5 Orange** flash sequence

1 Blue, 5 Orange

Camera is not able to resolve Verkada hostnames.

1 Blue, 6 Orange

Camera is not able to receive a response from the NTP Server.

1 Blue, 7 Orange

Camera is not able to certify the SSL connection, likely due to SSL inspection.

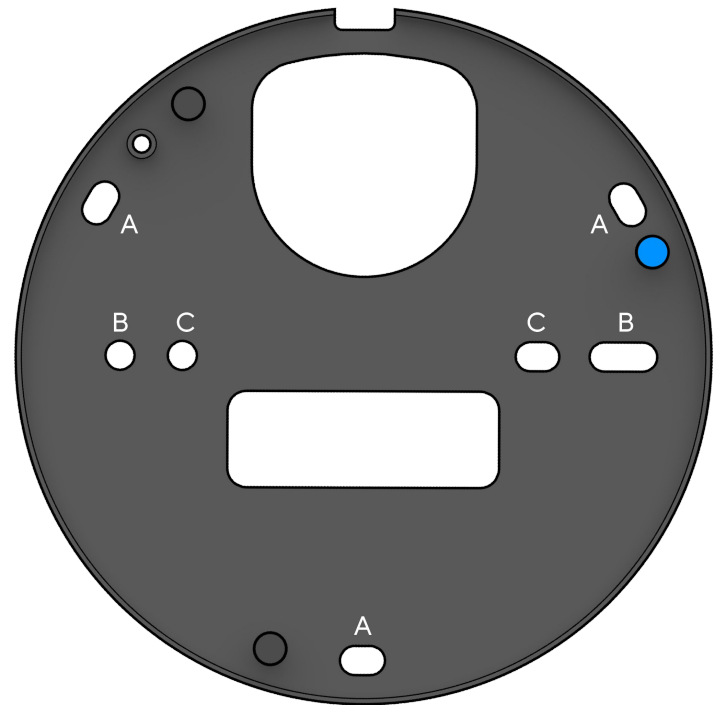
1 Blue, 8 Orange

Verkada endpoints are not reachable after boot up.

Camera Details

Mount plate details

- A Wall /Ceiling mount
- B Single gang junction box
- C Accessory mount /
European junction box



Grounding

In order to attach the ground cable to the camera, perform the following:

Align a 20AWG or larger grounding cable with a ring terminal and drive an M4-0.7 x 6mm screw (not included) through the terminal and into the threaded grounding point on the back of the device as shown on the right.

Attach the other terminal of a grounding cable directly to a circuit breaker, ground rod or earth ground.

This unit is powered by a UL Listed 802.3at/af/bt PoE power source.

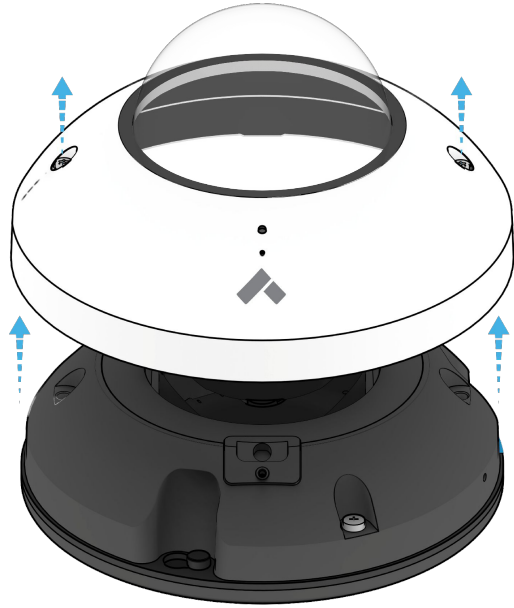


Installation

Remove mount plate

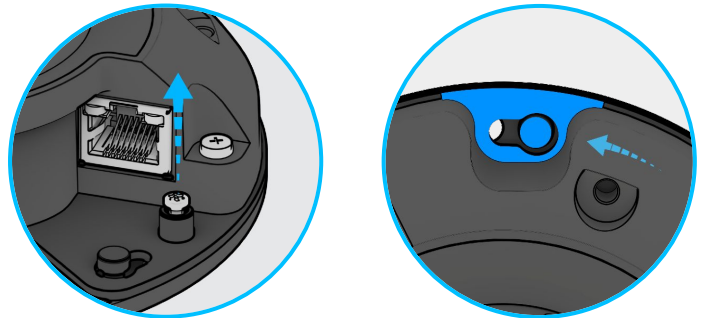
Use the provided T10 Security Torx screwdriver to loosen the screws and lift the cover.

Please note: Please keep the protective film adhered to the clear bubble until completing the final step of installation.

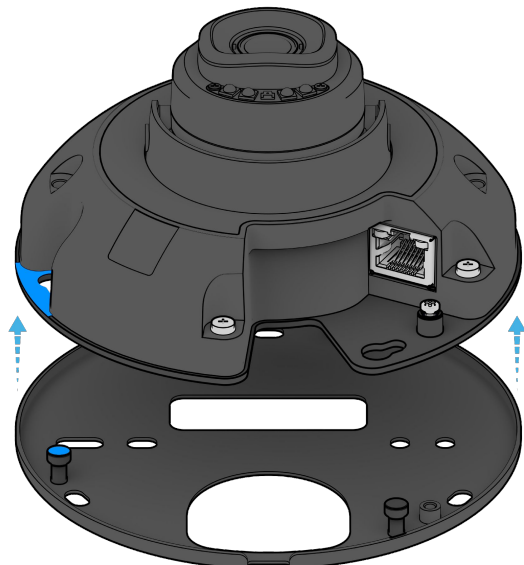


Use the T10 Security Torx screwdriver to loosen the lock screw on the base plate.

Rotate the camera counterclockwise from the mount plate to disengage the lock feature.



Lift the camera off of the mount plate.



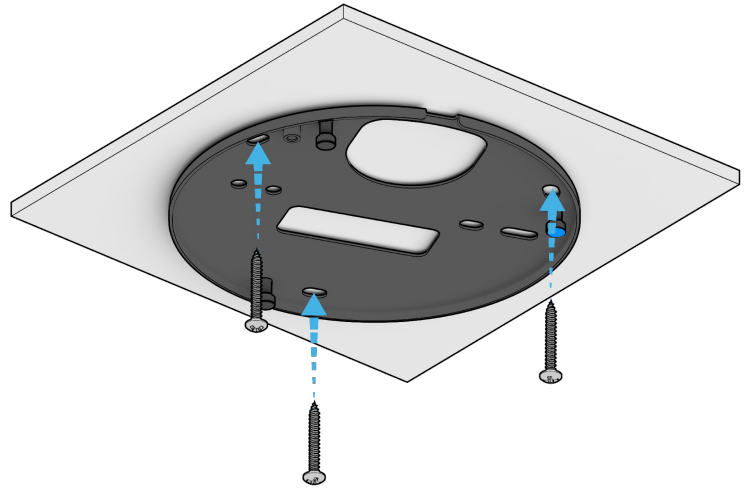
Installation

Mounting

For a solid material like wood or metal, drill 1/8 inch pilot holes.

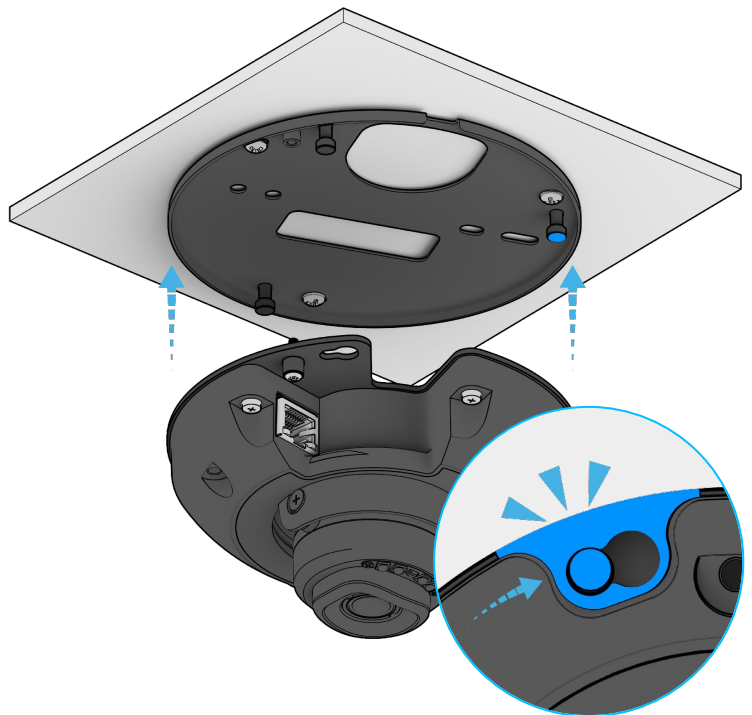
Drive the mounting screws directly into the pilot holes.

For drywall, plaster or masonry, wall anchors may be required.



Align the blue marks on the base plate and mount plate.

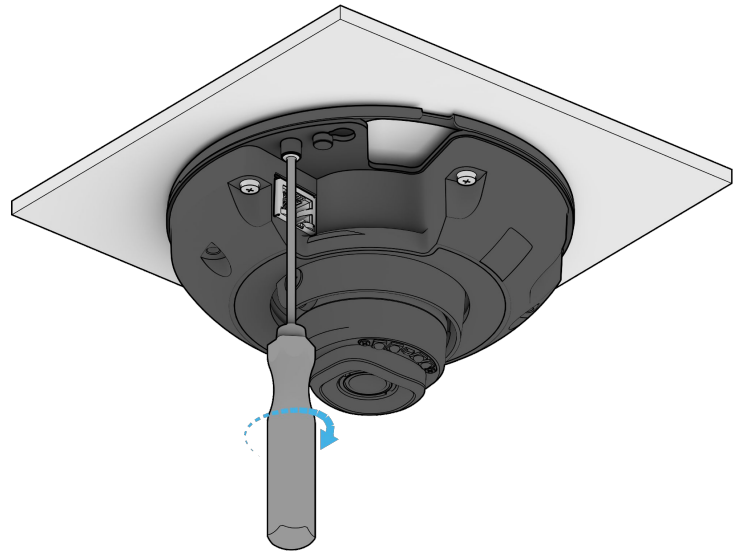
Rotate the camera clockwise onto the mount plate to engage the lock feature.



Installation

Connect

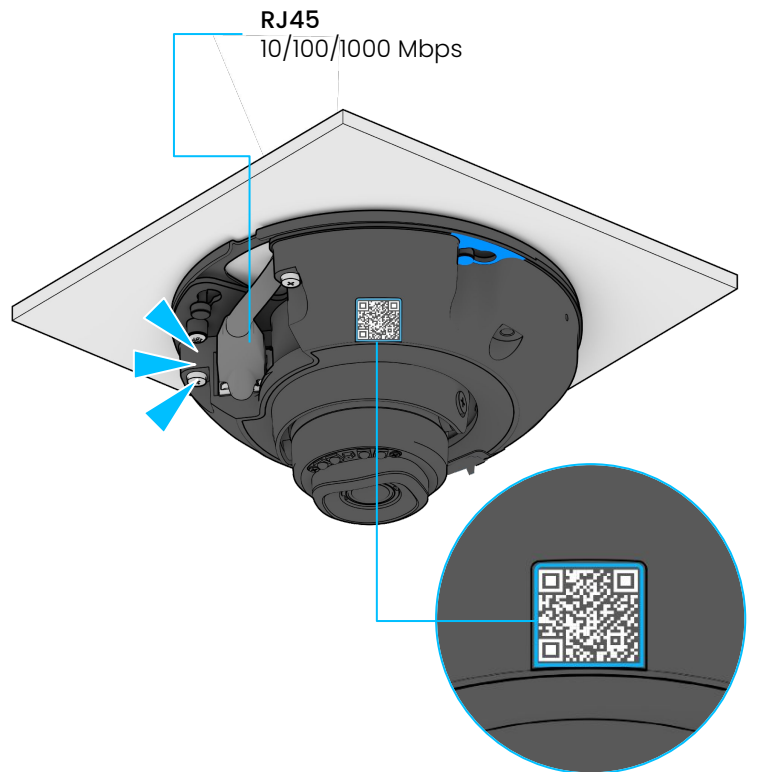
Tighten the lock screw on the base plate.



Connect the Ethernet cable to the RJ45 port.

The status LED will turn orange to indicate the camera has power. The LED will turn blue to indicate the camera is active. See additional LED states and definitions under LED Behaviors.

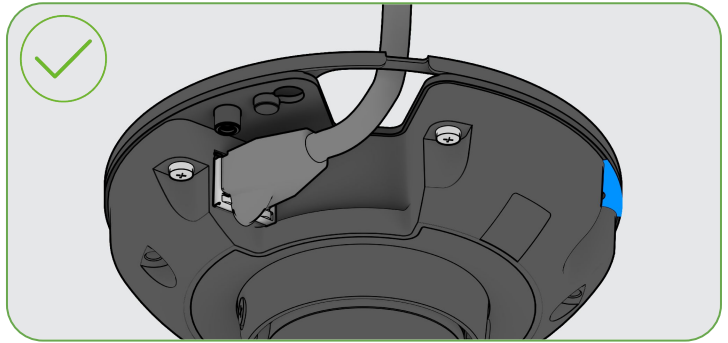
For easy registration and setup, scan the QR code on the product. If you prefer to manually register your product, please proceed to: verkada.com/start



Installation

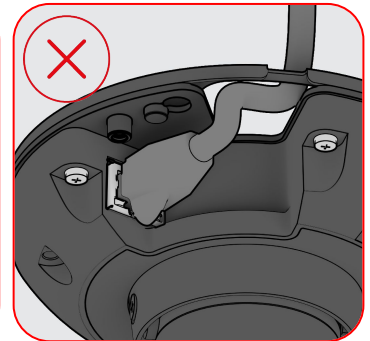
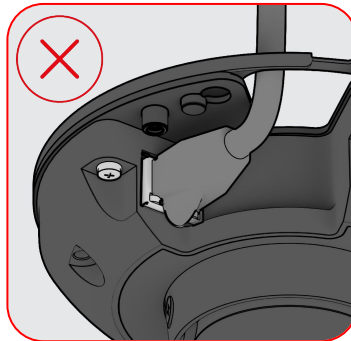
Connect

Gently pull the cable through the through-hole so it has some slack, but will not interfere with the top cover.



Pulling the Ethernet cable too tight will strain the cable which may impact data performance.

Too much slack in the Ethernet cable may create top cover installation issues.



Alternative Cable Routing

The “mouse hole” offers an alternative route for running the Ethernet cable.



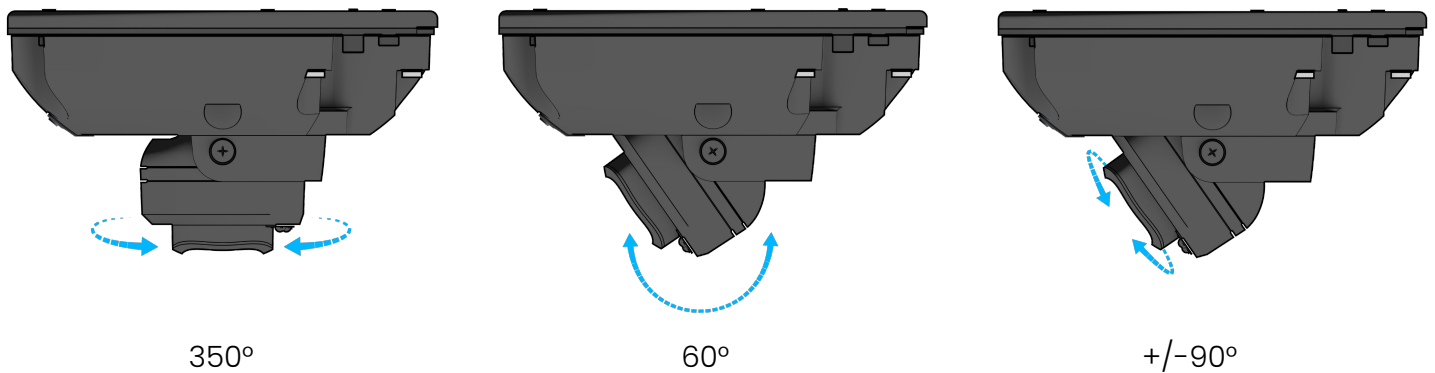
Installation

Adjust

Adjust your camera to the desired viewing angle. Use the online stream to confirm image orientation.

Image can be flipped 180° online in Command.

Video orientation is also adjustable from within the Verkada application.



Secure

To secure the top cover, tighten the two security screws using the provided T10 security torx screwdriver.

Remove plastic film after the top cover is secured.



CM22 CM42 Compliance

| | |
|--|--|
| <p>Caution</p> | <ol style="list-style-type: none"> 1. Maintenance and repair work must always be carried out by qualified technical personnel. Disconnect power from the unit when performing a maintenance task. 2. Wiring methods used for the connection of the equipment to earth shall be in accordance with the National Electrical Code, ANSI/NFPA 70, and the Canadian Electrical Code, Part 1, CSA C22.1. 3. The product must be installed and protected in a location that is not easily accessible and is away from impacts or heavy vibration. 4. The device is only to be connected to PoE networks without routing to outside plants. 5. If powered by a power adapter, the adapter should be properly grounded. 6. Please contact certified dealers for power adapters. |
| <p>FCC Statement</p> | <p>This device complies with Part 15 of the FCC Rules. Operation is subject to the following two conditions: (1) This device may not cause harmful interference, and (2) this device must accept any interference received, including interference that may cause undesired operation.</p> <p>This equipment has been tested and found to comply with the limits for a Class B digital device, pursuant to Part 15 of the FCC Rules. These limits are designed to provide reasonable protection against harmful interference in a residential installation. This equipment generates, uses and can radiate radio frequency energy and, if not installed and used in accordance with the instructions, may cause harmful interference to radio communications. However, there is no guarantee that interference will not occur in a particular installation. If this equipment does cause harmful interference to radio or television reception, which can be determined by turning the equipment off and on, the user is encouraged to try to correct the interference by one of the following measures:</p> <ul style="list-style-type: none"> -Reorient or relocate the receiving antenna. -Increase the separation between the equipment and receiver. -Connect the equipment into an outlet on a circuit different from that to which the receiver is connected. -Consult the dealer or an experienced radio/TV technician for help. |
| <p>IC Statement</p> | <p>This device complies with ISED’s licence-exempt RSSs. Operation is subject to the following two conditions: (1) This device may not cause harmful interference, and (2) this device must accept any interference received, including interference that may cause undesired operation.</p> <p>Le présent appareil est conforme aux CNR d’ISED applicables aux appareils radio exempts de licence. L’exploitation est autorisée aux deux conditions suivantes : (1) le dispositif ne doit pas produire de brouillage préjudiciable, et (2) ce dispositif doit accepter tout brouillage reçu, y compris un brouillage susceptible de provoquer un fonctionnement indésirable.</p> |
| <p>South Africa Compliance*</p> | <div style="display: flex; align-items: center; justify-content: center;">  <div style="margin-left: 20px;"> <p>TE-2024/0042 APPROVED</p> </div> </div> <p>*Only applicable to the following models: - CM22-256-HW - CM42-256-HW</p> |



CM22 CM42 Compliance

Customs
Union
Compliance*



*Only applicable to the following models:

- CM22-256-HW
- CM42-256-HW



Appendix

Support

Thank you for purchasing this Verkada product. If for any reason you're experiencing issues or need assistance, please contact our 24/7 Technical Support Team immediately.

Sincerely,
The Verkada Team
verkada.com/support

