

Day/Night Mount for Two Optical MOBOTIX Sensor Modules



- For surveillance of one area with two optical sensor modules (in particular, for day and night)
- All available optical sensor modules (S14D or S15D) can be installed in the DualMount
- Concealed cabling, weatherproof from -30 to +60 °C (IP65)
- Suitable for ceiling installation, with a 25° tilt of the lenses

Mount for two parallel optical sensor modules for MOBOTIX cameras S15D/S14D (not included)

Viewing direction tilted downwards by 25 degrees, weatherproof and temperature-resistant for indoor and outdoor applications

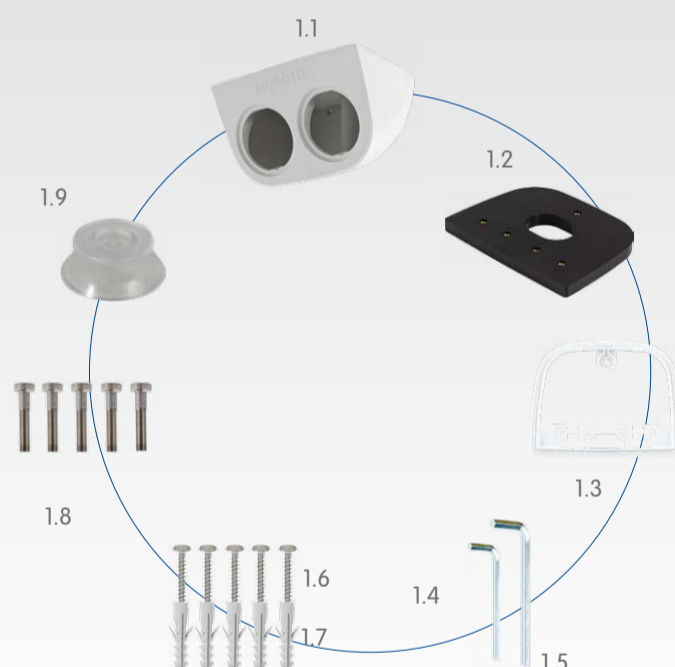
For the **S14D/S15D FlexMount cameras**, two sensor modules with integrated lens, image sensor, LEDs and microphone are connected (via connector plugs) to the camera housing, which is installed hidden behind a wall or ceiling panel.

With the MOBOTIX **DualMount** two sensor modules are positioned directly next to each other and in parallel. This orientation of the sensor modules for the same area being surveilled makes the S14D/S15D a suitable camera for day and night use – the same image area can be seen as a color image during the day and as a black/white image at night.

The **DualMount** can be used with all available sensor modules and enables an installation of the lenses on the ceiling with a downward tilt of 25°. The DualMount can also be installed outdoors, e.g., under eaves, bridges, etc.



Delivered Parts



Item	Number	Part Name
1.1	1	Housing
1.2	1	Backing plate
1.3	1	Seal
1.4	1	Allen wrench 1.5 mm
1.5	1	Allen wrench 3 mm
1.6	5	Stainless steel wood screws 4x40
1.7	5	Dowels 6 mm
1.8	5	Stainless steel Allen screws M4x30
1.9	1	Removal tool

Installation

Before installing the sensor modules, make sure that the sensor cables will reach the intended mounting position without placing a strain on the cables. Separate the sensor modules from the sensor cables before installing the modules.

Further information on the individual camera connectors can be found in Section 2.2.1, "Overview Of Cable Connections" of the S14/S15 camera manuals. Install the base module as described in Section 2.3.1

1. Prepare opening

Prepare an opening at the desired mounting position of the SurroundMount that is large enough (diameter about 30 to 40 mm) to allow the sensor cables to pass through so that you can connect them.

2. Lead the sensor cables through the opening

Lead the sensor cables through the opening in the ceiling and allow them to protrude through (the longer they extend, the easier the installation).



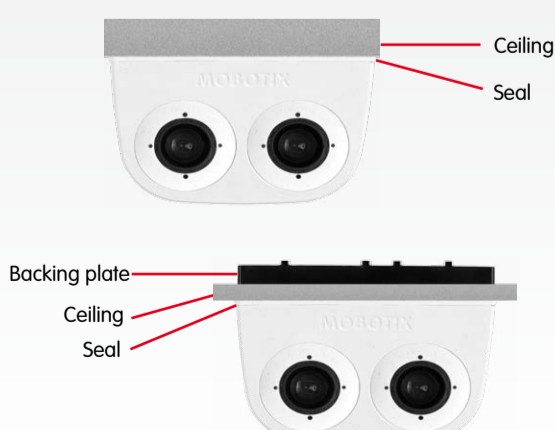
3. Attach the hinged ferrites

Attach one hinged ferrite to each sensor cable (maximum distance to the connector 10 cm).

4. Select mounting type

Select the appropriate mounting type. Depending on the material and the thickness of the mounting surface, you can mount the DualMount

- **directly** to the ceiling using the five **stainless steel wood screws** (item 1.6) with or without the **dowels** (item 1.7).
- to the ceiling (max. thickness 12 mm) using the **backing plate** (item 1.2) and the five **stainless steel Allen screws** (item 1.8). To do this, you have to push the screws through the ceiling and tighten them to the backing plate positioned to the back of the ceiling.



5. Set dowels or prepare screw holes

Depending on the desired mounting type, you either set the dowels or prepare screw holes (for the backing plate). In the second case, you can either use the drilling template provided at the end of this document or use the backing plate with its five threaded bushings as a drilling template.

6. Mount the housing

Place the **sealing** (item 1.3) on the **SurroundMount housing** (item 1.1). Attach the housing with or without **dowels** (item 1.7) to the ceiling using the **stainless steel wood screws** (item 1.6). When using the **backing plate** (behind ceiling boards or roof linings) use the **stainless steel Allen screws** (item 1.8). You will need a **cross-tip screwdriver** for the wood screws; for the Allen screws you will need the **3 mm Allen wrench** provided in the package.

7. Connect sensor cables

Connect a sensor cable to each sensor module (one cable through each opening of the housing). Insert the sensor cable in the socket of the module, attach the bayonet catch and turn it to the right until it clicks into place.

8. Attach sensor modules

Make sure that the MOBOTIX lettering on the front of the sensor module is pointing to the "9-o'clock position" as shown in the figure. Turn the sensor module with the black module wrench (provided with the S15D) to the right until it reaches the stop.

9. Secure sensor modules

Tighten the two set screws on the underside of the housing to secure each of the sensor modules. To do this, use the provided 1.5 mm Allen wrench.

Warning: Do not overtighten the screws (plastic housing!).



Additional Mounting Options

Wall mounting of the DualMount

To secure e.g. an entrance area, the DualMount can also be mounted directly above a door. Before you mount the housing to the wall, make sure that you pry out the drain louver on the front of the housing (this can be done, e.g., with small pliers).

Surface mounting of the sensor cables (with ceiling or wall mounting)

The two sensor cables can also be laid openly to the DualMount. For that you need to pry open two of the four cable openings (see right image) on the backside of the housing. Recommended mounting steps:

1. Prepare screw holes (see drilling template on the backside)

When selecting the mounting positions for the DualMount and the camera housing, ensure that the sensor cables are long enough so that they can be stored easily together with the hinged ferrites in the DualMount housing. For that we recommend to maintain a distance of **10 cm** between the opening of the housing and the bend relief of the plug.

2. Lead the sensor cables into the housing and attach the hinged ferrites

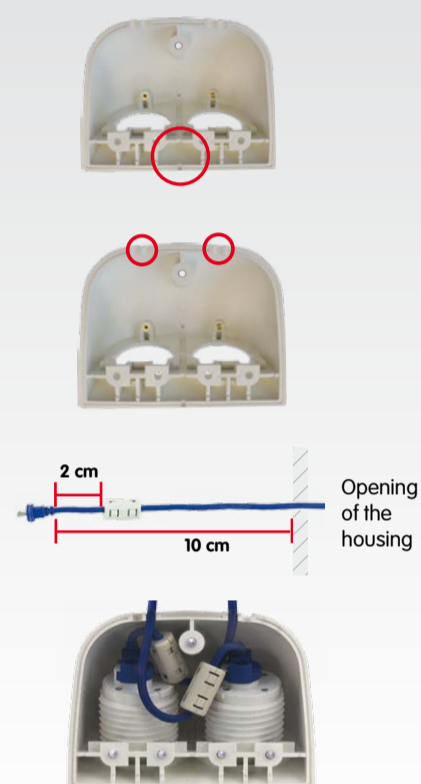
Attach one hinged ferrite to each sensor cable. We recommend to maintain a distance of **2 cm** between the ferrite and the bend relief of the plug.

3. Attach housing

Insert the crossed sensor cables into the mount and place the sealing (item 1.3) on the housing. Attach the housing to the wall or ceiling and make sure that the sealing is seated properly.

4. Connect sensor cables, attach and secure sensor modules

Follow the steps 7 to 9 described in section „Installation“.



Replacing Sensor Modules

All MOBOTIX sensor modules can be used with the DualMount. To replace a sensor module you need the removal tool, which is included with the delivered parts.

1. Loosen set screws

Loosen the two set screws on the underside of the housing using the provided 1.5 mm Allen wrench.

2. Loosen sensor module

Turn the sensor module with the black module wrench (provided with the S15D) to the left until it reaches the stop (MOBOTIX lettering in the "9-o'clock position"). Remove the black module wrench.

3. Remove sensor module

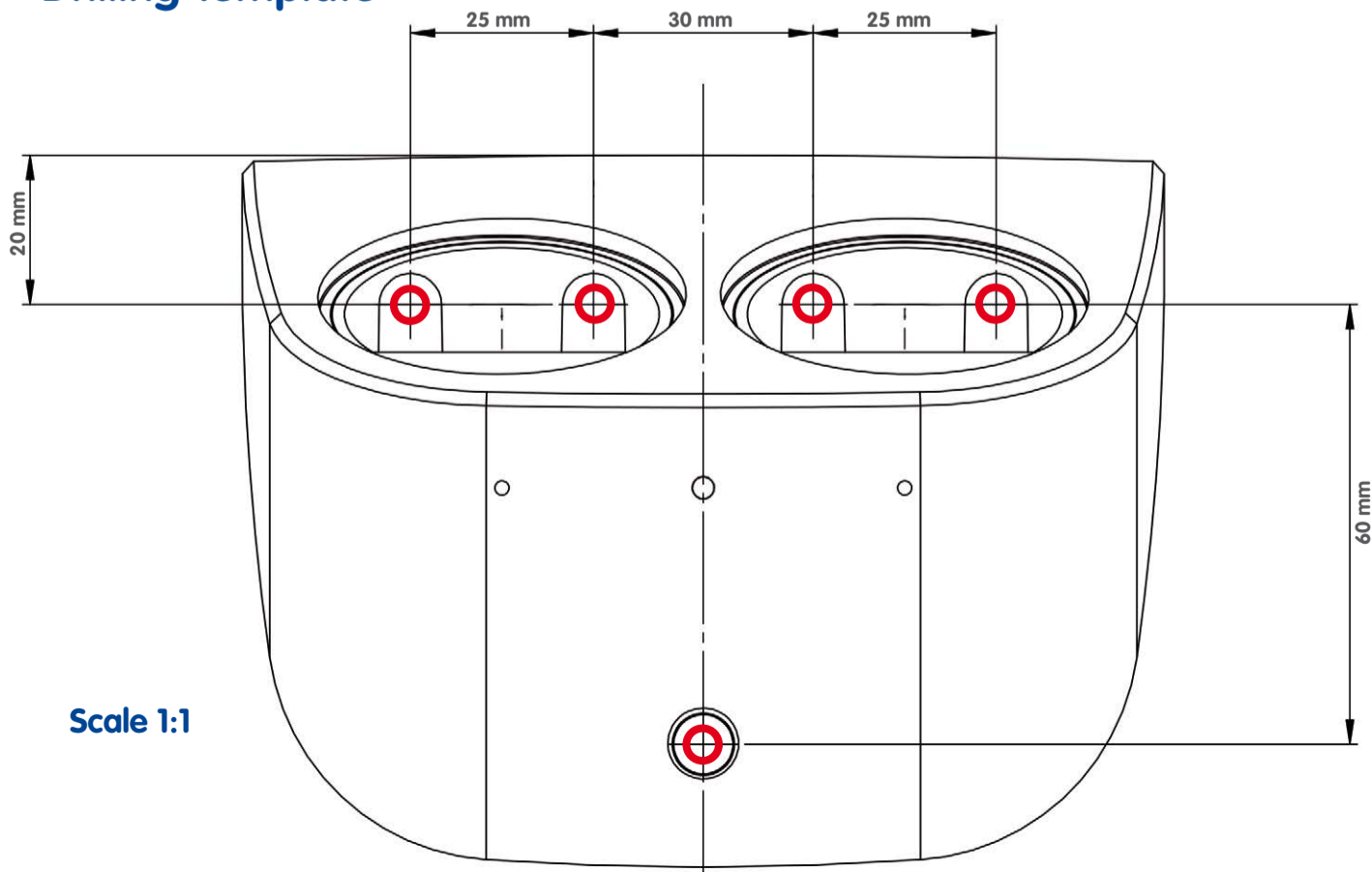
Place the removal tool (provided in the package) onto the sensor module. Remove the module and disconnect it from the sensor cable.

4. Replace sensor module

After disconnecting the sensor module from the sensor cable, proceed as described in **Installation** (7. Connect sensor cables, 8. Attach sensor modules and 9. Secure sensor modules).



Drilling Template



Scale 1:1