

TECHNICAL DATA

RMUBRKT1/WBPWR-50

pan-and-tilt bracket

Product Overview

A pan-and-tilt bracket that allows both pitch and yaw adjustment. WBPWR-50 is rated for use with outdoor installations. RMUBRKT1 is intended for indoor use only.

Key Features

Compatible with:

- DesignMax DM3SE, DM5SE, DM6SE, and DM8S
- FreeSpace FS2SE and FS4SE
- AMM108
- ArenaMatch Utility AMU105, AMU108, AMU206, and AMU208
- Panaray 402 Series IV
- F1 Model 812

Horizontal or vertical mounting

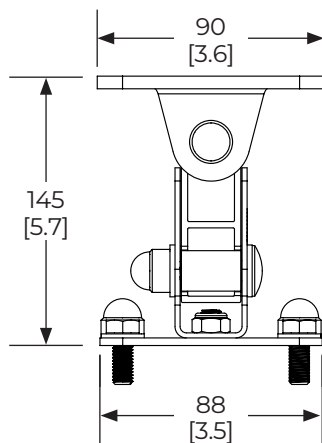
Convenient hook-and-lock method for easy mounting

Available in indoor (RMUBRKT1) and outdoor models (WBPWR-50)



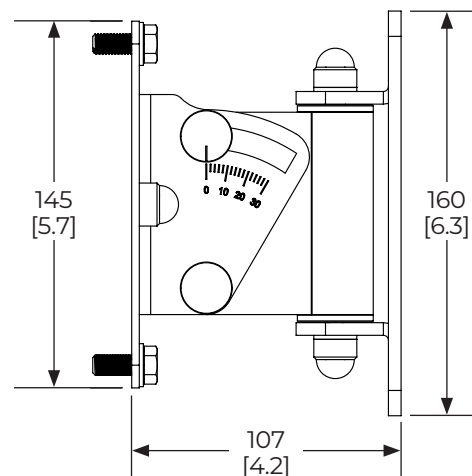
Dimensions¹

Top View



Right View

DIMENSIONS APPLY TO BOTH SIDES



1. Dimensions are shown in millimeters over inches.

For additional specifications and application information, please visit BoseProfessional.com. Specifications subject to change without notice. 11/2024

TECHNICAL DATA

RMUBRKT1/WBPWR-50

pan-and-tilt bracket

Technical Specifications

MECHANICAL	
Material	Steel
Angle of Inclination	0° to 30°
Swivel	90° rotatable loudspeaker plate
Wall Clearance	107 mm (4.2 in)
Wall Plate	160 mm × 90 mm (6.3 in × 3.6 in)
Loudspeaker Plate	145 mm × 88 mm (5.7 in × 3.5 in)
Maximum Load Capacity	22.7 kg (50.0 lb)
Net Weight	1.2 kg (2.6 lb)
GENERAL	
Compatible with	AMM108 ArenaMatch Utility AMU105, AMU108, AMU206, AMU208 DesignMax DM3SE, DM5SE, DM6SE, DM8S F1 Model 812 FreeSpace FS2SE, FS4SE Polaris 402 Series IV RoomMatch RMU105, RMU108, RMU206, RMU208
PRODUCT CODES ^{2 3}	
RMUBRKT1 pan-and-tilt bracket, black ²	738453-0110
RMUBRKT1 pan-and-tilt bracket, white ²	738453-0210
WBPWR-50 pan-and-tilt bracket, black ³	738453-0120
WBPWR-50 pan-and-tilt bracket, white ³	738453-0220

2. The RMUBRKT1 is intended for indoor use only.

3. The WBPWR-50 is intended for outdoor use.

Bose and Polaris are trademarks of Bose Corporation. ArenaMatch, DesignMax, and FreeSpace are trademarks of Transom Post OpCo LLC. All other trademarks are the property of their respective owners. ©2024 Transom Post OpCo LLC. All rights reserved.

For additional specifications and application information, please visit BoseProfessional.com. Specifications subject to change without notice. 11/2024